

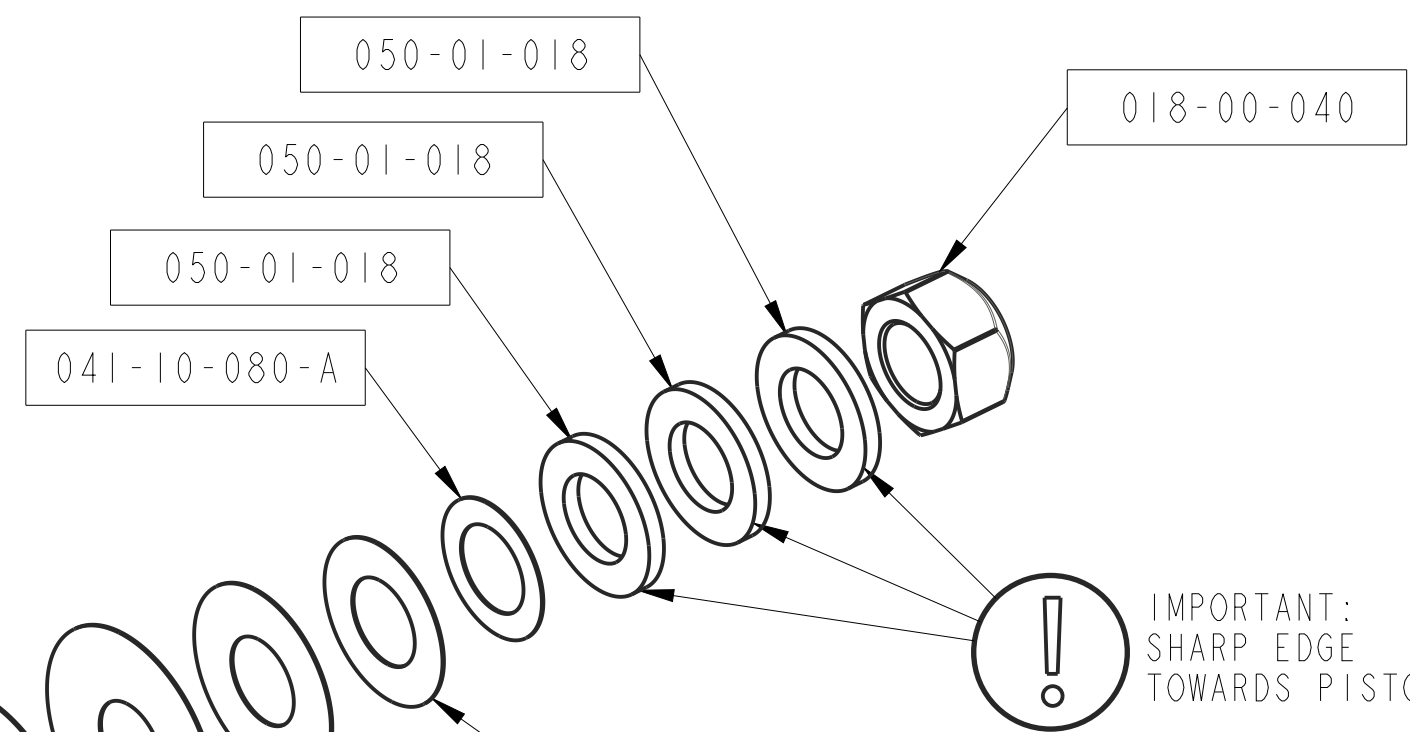
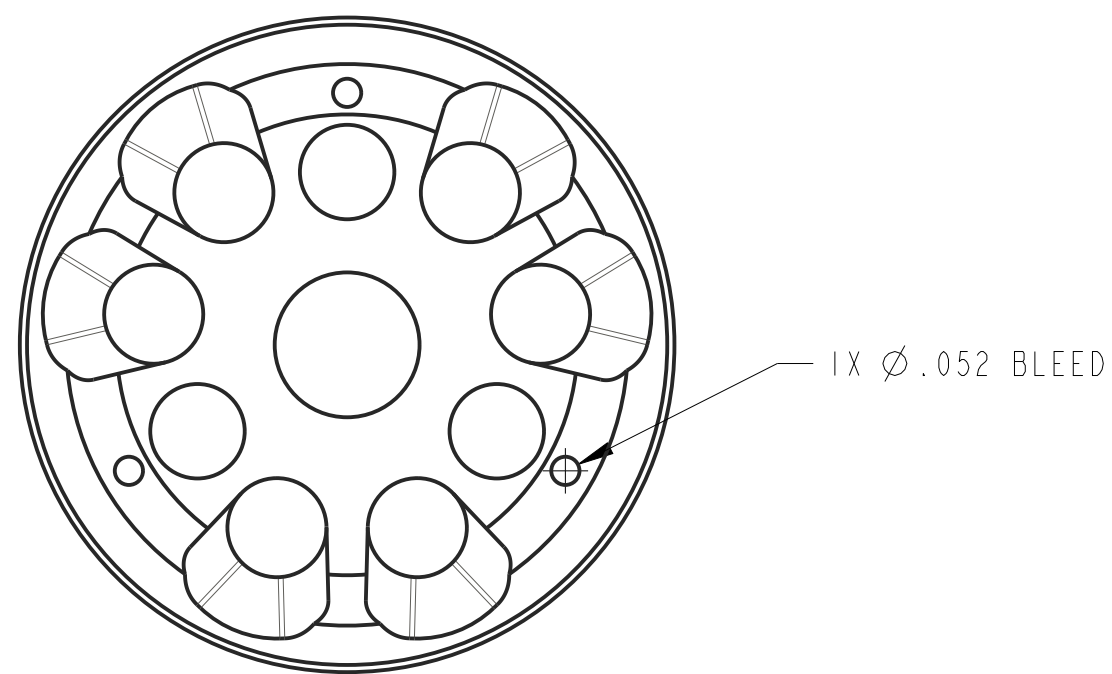
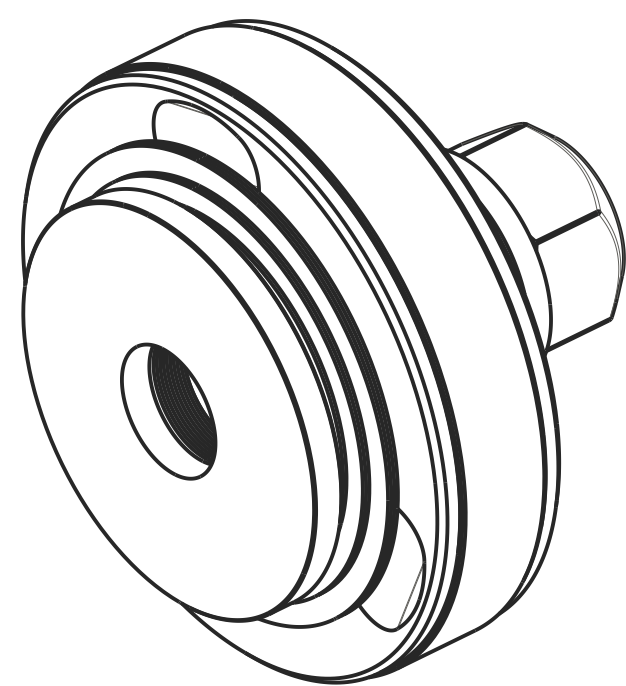
4

3

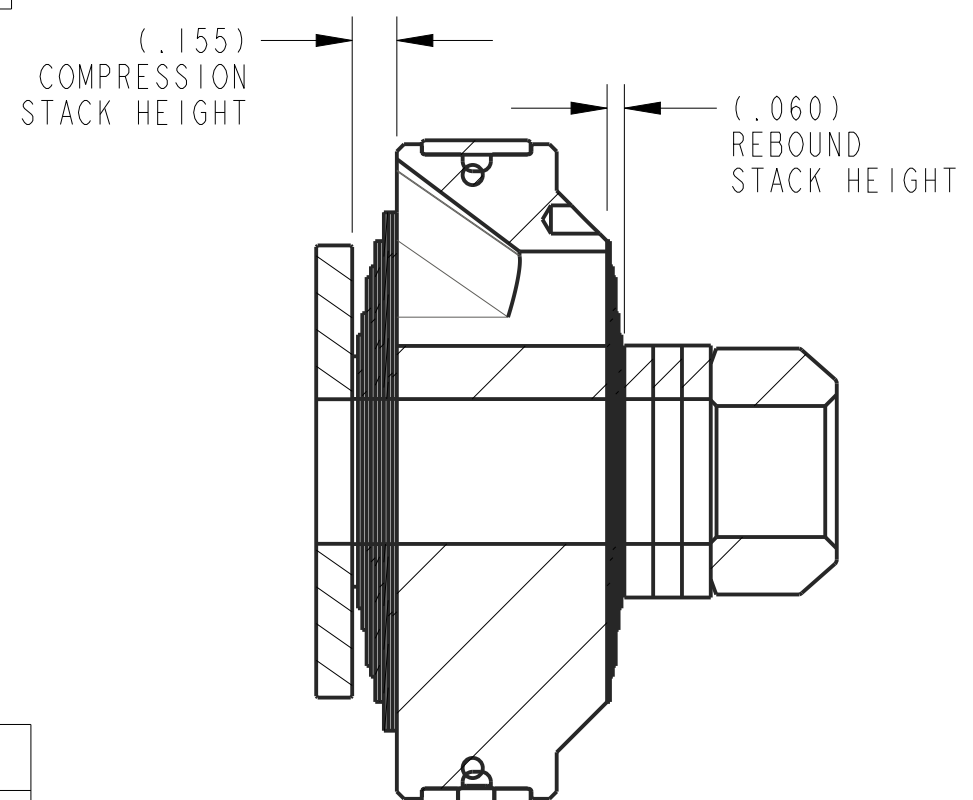
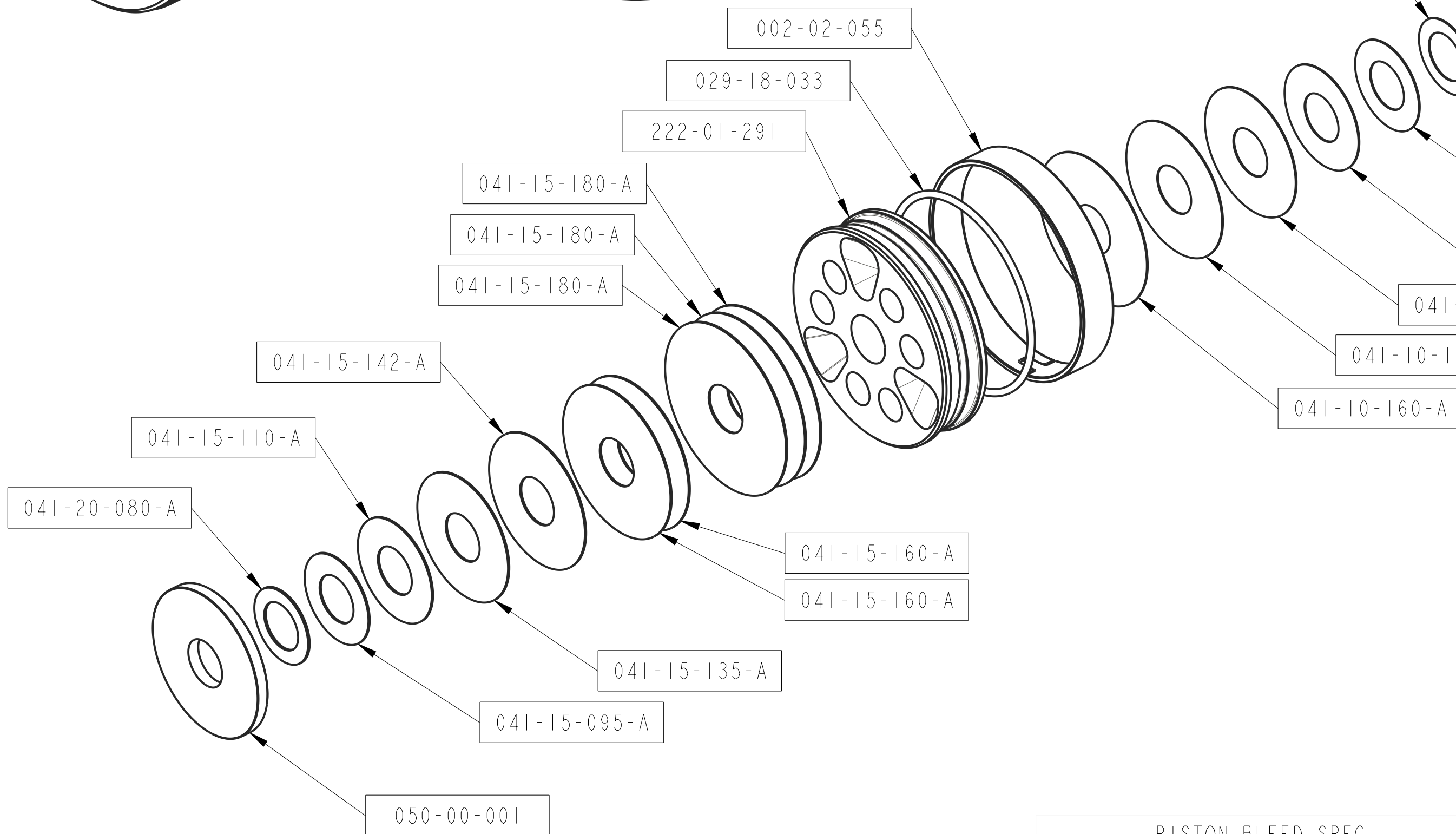
2

1

REVISIONS				
ZONE	REV	DESCRIPTION	DATE	APPROVED
	A	PRODUCTION RELEASE	10/18/17	CR



IMPORTANT:
SHARP EDGE
TOWARDS PISTON



PISTON BLEED SPEC	
DRILLED ON LINE	(1X) Ø.052"

- NOTES:
- REFERENCE: 3,2/50 (1X Ø.052 BLEED)
 - FIRST APPLICATION: 3.0 SERIES INTERNAL BYPASS

- PROPRIETARY -
THIS DOCUMENT CONTAINS CONFIDENTIAL, PROPRIETARY INFORMATION
THAT IS FOX PROPERTY. DO NOT DISCLOSE TO OR DUPLICATE
FOR OTHERS EXCEPT AS AUTHORIZED BY FOX.

UNLESS OTHERWISE SPECIFIED DIMENSIONS ARE IN: INCHES [MM]		PER ASME Y14.5M 1994	
TOLERANCES ARE:		APPROVALS	DATE
DECIMALS	ANGLES	DWN. BY	
.XX [.X] ± .01 [0,25]	± 1°	C RAHDERS	10/18/17
.XXX [.XX] ± .005 [0,13]		CHK. BY	
THIRD ANGLE PROJECTION		ENG.	C RAHDERS 10/18/17
		MFG.	
		ADD.	

FOX FOX Factory, Inc. Ph 831-768-1100
130 Hangar Way, Watsonville, CA 95076 USA Fax 831-768-9312

TITLE: Valving Assembly:
2.5 Factory Series,
Tuned Combination 321

SIZE DWG. NO. **C** **807-24-321**

PLOT SCALE | .50:1 | SHEET 1 OF 2

4

3

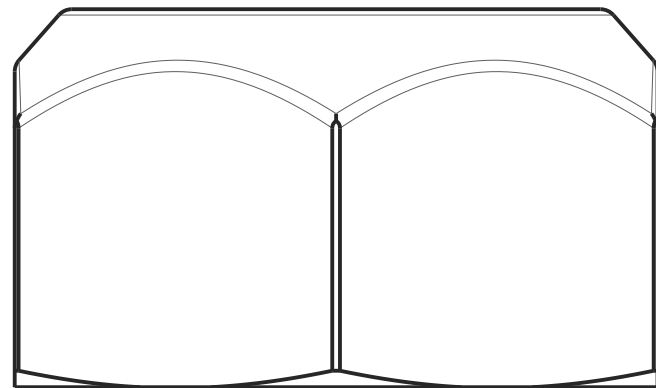
2

4

3

2

1



BACK UP WASHER



BACK UP WASHER



BACK UP WASHER



0.800 X .010



0.950 X .010



1.100 X .010



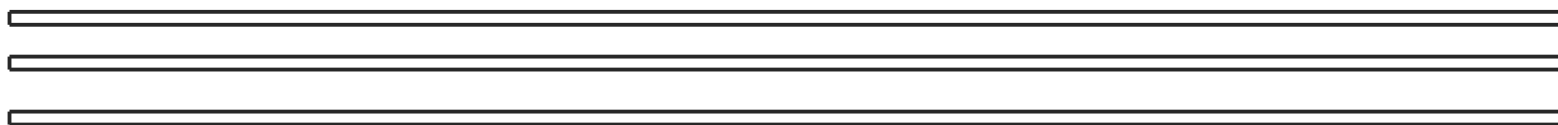
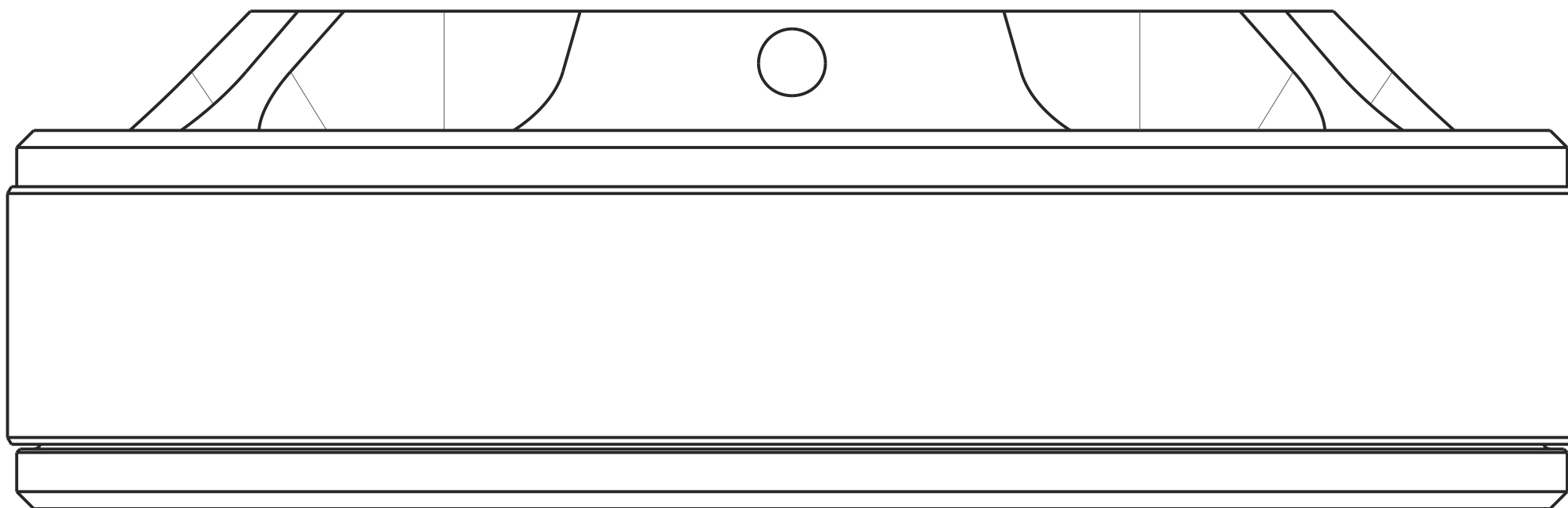
1.350 X .010



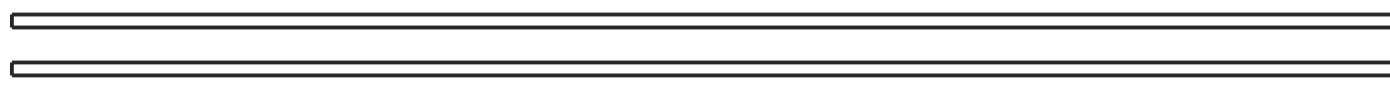
1.425 X .010



1.600 X .010



(3X) 1.800 X .015



(2X) 1.600 X .015



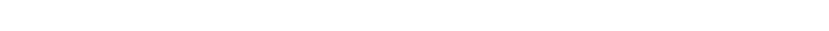
1.425 X .015



1.350 X .015



1.100 X .015



0.950 X .015



0.800 X .020



TOP OUT WASHER

- PROPRIETARY -
 THIS DOCUMENT CONTAINS CONFIDENTIAL, PROPRIETARY INFORMATION
 THAT IS FOX PROPERTY. DO NOT DISCLOSE TO OR DUPLICATE
 FOR OTHERS EXCEPT AS AUTHORIZED BY FOX.

SIZE C	DWG. NO. 807-24-321	REV. A
PLOT SCALE 1.50:1 SHEET		2 OF 2

4

3

2

1

D

D

C

C

B

B

A

A