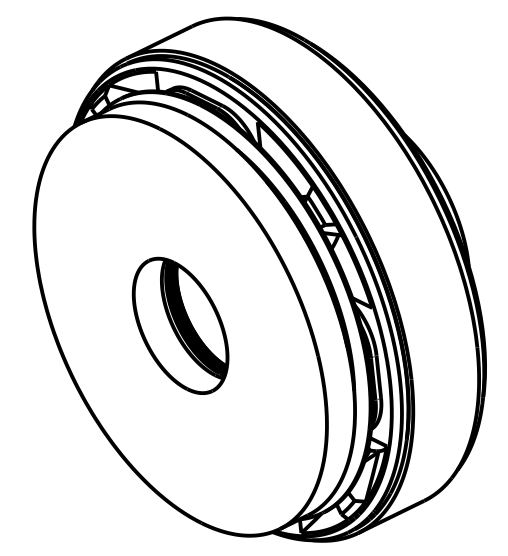


— PROPRIETARY —  
 THIS DOCUMENT CONTAINS CONFIDENTIAL, PROPRIETARY INFORMATION THAT IS FOX PROPERTY. DO NOT DISCLOSE TO OR DUPLICATE FOR OTHERS EXCEPT AS AUTHORIZED BY FOX.

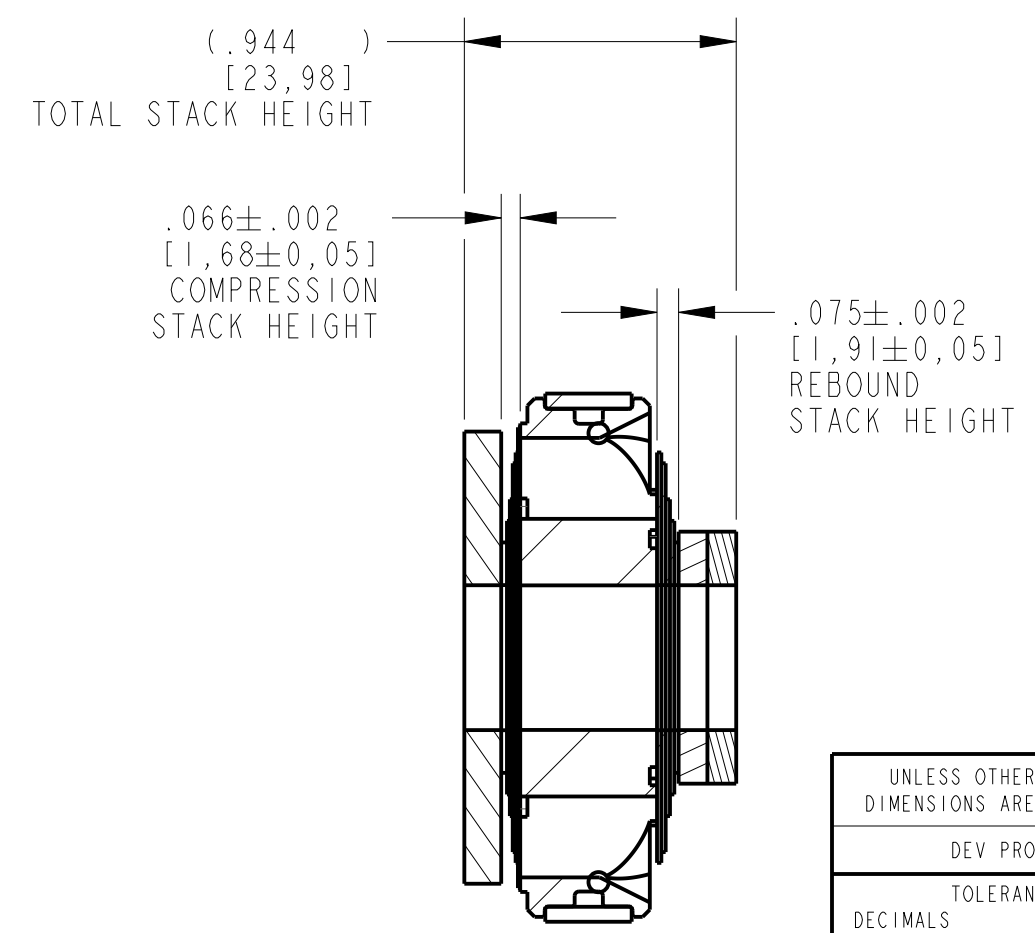
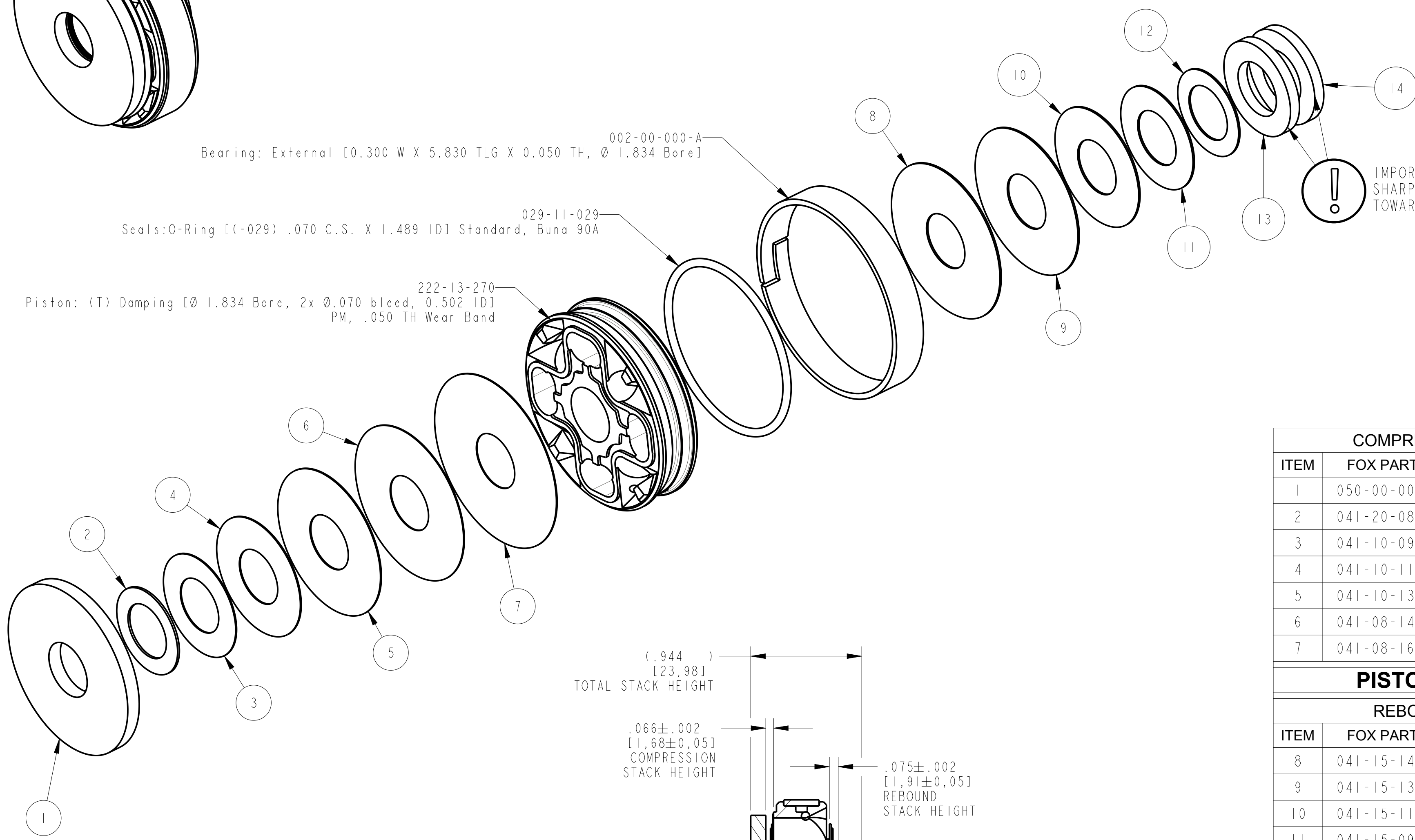
REVISIONS				
ZONE	REV	DESCRIPTION	DATE	APPROVED
	A	PRODUCTION RELEASE	10/31/16	BS
	B	CHANGED PISTON, O-RING AND WEAR BAND	7/17/18	BS
	D	CORRECT WEAR BAND & ROLL REV TO MATCH ORACLE	4/07/20	BS
	E	018-00-040 REMOVED DRAWING FORMAT UPDATED	03/09/21	VT



Bearing: External [0.300 W X 5.830 TLG X 0.050 TH, Ø 1.834 Bore] 002-00-000-A

Seals: O-Ring [(-029) .070 C.S. X 1.489 ID] Standard, Buna 90A 029-11-029

Piston: (T) Damping [Ø 1.834 Bore, 2x Ø.070 bleed, 0.502 ID] PM, .050 TH Wear Band 222-13-270



COMPRESSION VALVING		
ITEM	FOX PART #	VALVE OD X THK
1	050-00-001-A	1.570 X .128 (TO)
2	041-20-080-A	.800 X .020
3	041-10-095-A	.950 X .010
4	041-10-110-A	1.100 X .010
5	041-10-135-A	1.350 X .010
6	041-08-142-A	1.425 X .008
7	041-08-160-A	1.600 X .008

PISTON POSITION		
REBOUND VALVING		
ITEM	FOX PART #	VALVE OD X THK
8	041-15-142-A	1.425 X .015
9	041-15-135-A	1.350 X .015
10	041-15-110-A	1.100 X .015
11	041-15-095-A	.950 X .015
12	041-15-080-A	.800 X .015
13	050-01-018-A	.875 X .100 (BU)
14	050-01-018-A	.875 X .100 (BU)

- NOTES:
- REFERENCE: 40/90 (2X Ø.070 BLEED)
  - FIRST APPLICATION: 2.0 FRS 1-1/4" SHAFT COILOVER
  - ASSEMBLE PER MFG PROCESS 605-04-073

UNLESS OTHERWISE SPECIFIED DIMENSIONS ARE IN: INCHES [MM]		PER ASME Y14.5-2018		<b>FOX</b> FOX FACTORY, INC.	
DEV PROJECT #:		APPROVALS		TITLE	
TOLERANCES ARE:		DWN. BY B. SMITH		Valving Assembly: 2.0 Factory Series, Tuned Combination 003	
DECIMALS .XX [.X] ±.01 [0.25]		DATE 10/31/16		SIZE	
.XXX [.XX] ±.005 [0.13]		CHK. BY		DWG. NO.	
THIRD ANGLE PROJECTION		ENG. B. SMITH		C	
MFG.		DATE 10/31/16		807-24-003	
OC.		PLOT SCALE: 1.50		SHEET: 1 OF 1	