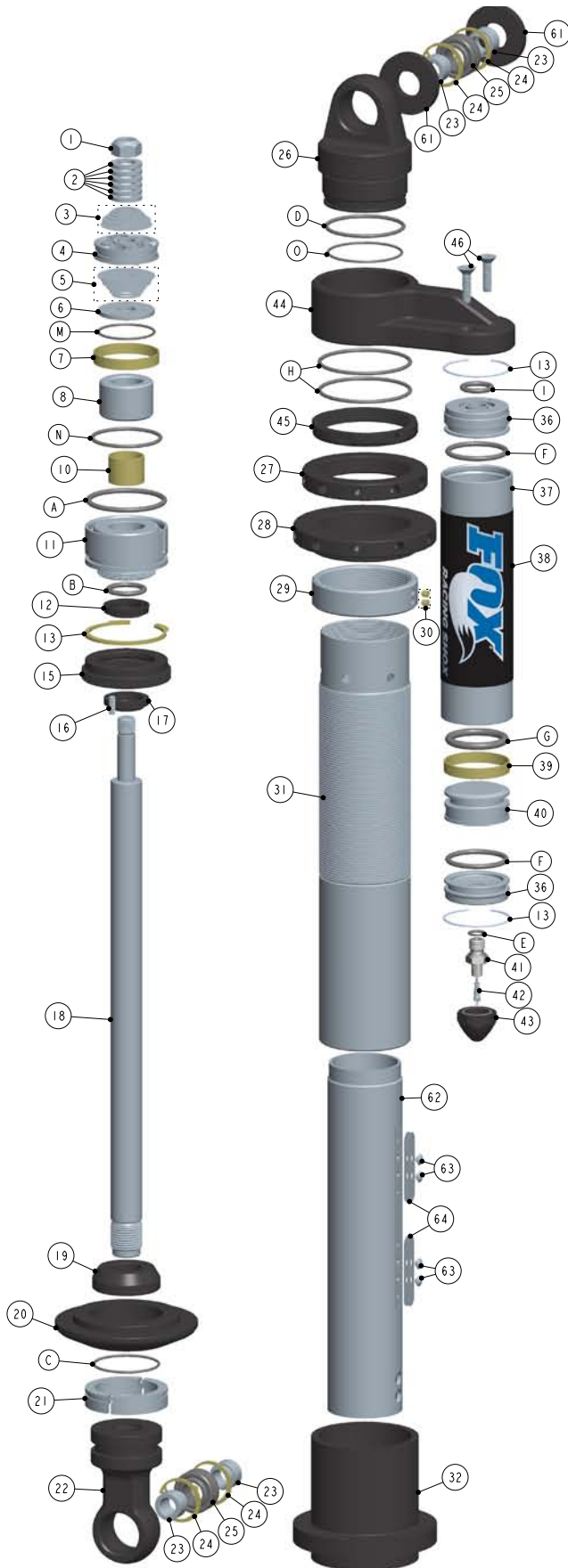


INTERNAL BYPASS SHOCK

EXPLODED VIEW DIAGRAM



PARTS

#	DESCRIPTION	#	DESCRIPTION
1	Piston Lock Nut	36	Reservoir End Cap
2	Back-Up Washer	37	Reservoir
3	Rebound Valve Stack	38	Reservoir Decal
4	Damping Piston	39	IFP Wear Band
5	Compression Valve Stack	40	IFP
6	Top-Out Washer	41	Air Valve Housing
7	Damping Piston Wear Band	42	Air Valve Core
8	Shaft Spacer	43	Air Valve Cap
9	Top-Out Bumper	44	Piggy Back Bridge
10	Internal Bearing	45	Piggy Back Lock Ring
11	Bearing Housing	46	Piggy Back Bridge Bolt
12	Bearing U-Cup Seal	47	Air Shock Spring
13	Retaining Ring	48	Spring Retainer Adapter
14	Spring Guide Retainer	49	Bump Stop Pad Nut
15	Bearing Cap	50	Bump Stop Pad Bolt
16	Bearing Set Screw	51	Bump Stop Pad
17	Bearing Cap Wiper Seal	52	Bypass Reservoir Tube
18	Shaft	53	Bypass Reservoir Fitting
19	Bottom-Out Bumper	54	Bypass Tube
20	Spring Retainer	55	Bypass Piston
21	Spring Retainer Clip	56	Bypass Spring
22	Eyelet	57	Bypass Plunger
23	Eyelet Spacer/Reducer	58	Bypass End Cap
24	Eyelet Retaining Ring	59	Adjustment Screw
25	Spherical Bearing	60	Adjustment Screw Lock Nut
26	Body Cap	61	Reducer Bushing
27	Preload Back-Up Ring	62	Internal Body
28	Preload Ring	63	Internal Bypass Valve Stack Nut
29	Crossover Ring	64	Internal Bypass Valve Stack
30	Crossover Ring Set Screw		
31	Body		
32	Spring Divider		
33	Spring Guide		
34	Reservoir Hose Adapter		
35	Remote Reservoir Hose		

O-RINGS

#	DESCRIPTION
A	Bearing Housing
B	Shaft Bearing
C	Spring Retainer
D	Body Cap
E	Air Valve Housing
F	Reservoir End Cap
G	IFP
H	Piggy Back Bridge
I	Piggy Back Bridge Port
J	Ø 1.25 Shaft Bottom-Out Bumper