

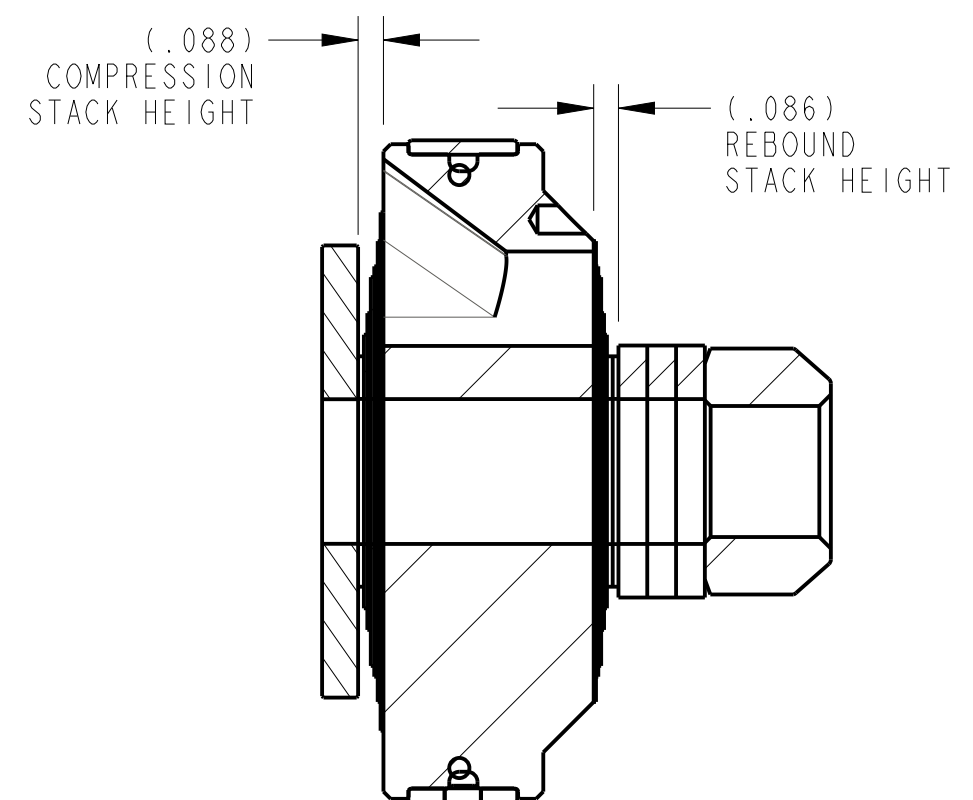
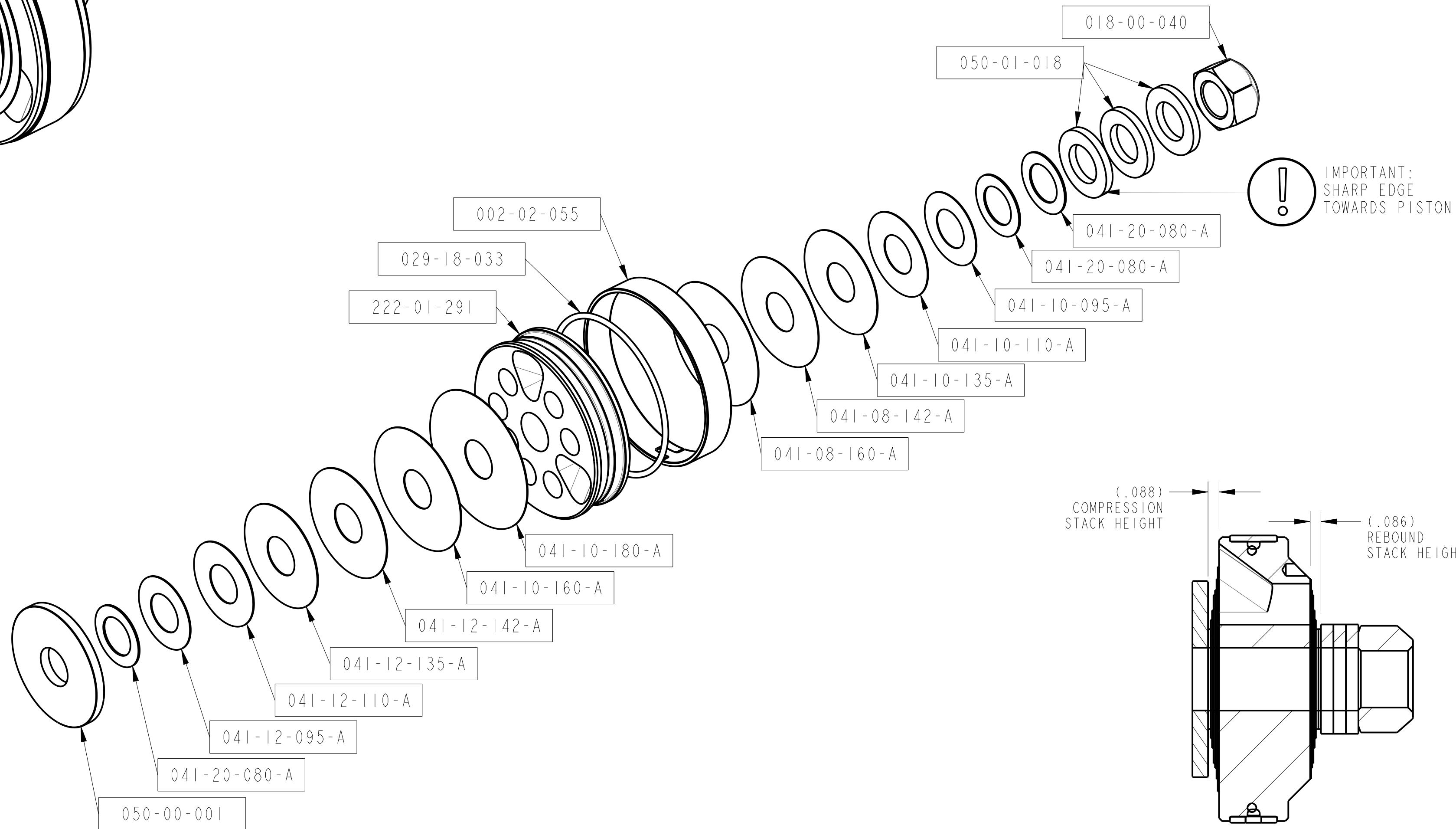
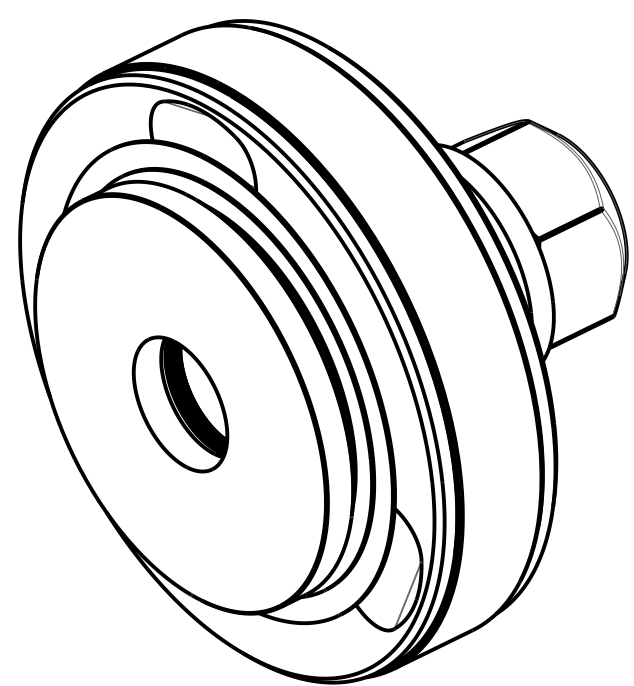
4

3

2

1

REVISIONS				
ZONE	REV	DESCRIPTION	DATE	APPROVED
	A	PRODUCTION RELEASE	10/31/16	BS
	B	CHANGED BOM BALLON TYPE	5/12/17	BS



- NOTES:
1. REFERENCE: 60/40 (2X Ø.098 BLEED)
 2. FIRST APPLICATION: 2.5 FRS REMOTE RESERVOIR 7/8" SHAFT

- PROPRIETARY -
THIS DOCUMENT CONTAINS CONFIDENTIAL, PROPRIETARY INFORMATION
THAT IS FOX PROPERTY. DO NOT DISCLOSE TO OR DUPLICATE
FOR OTHERS EXCEPT AS AUTHORIZED BY FOX.

UNLESS OTHERWISE SPECIFIED DIMENSIONS ARE IN: INCHES [MM]		PER ASME Y14.5M 1994		FOX Factory, Inc. <small>130 Hangar Way, Watsonville, CA 95076 USA Ph 831-768-1100 Fax 831-768-9312</small>	
TOLERANCES ARE:		APPROVALS	DATE	TITLE	
DECIMALS	ANGLES	DWN. BY		Valving Assembly:	
.XX [.X] ± .01 [0,25]	± 1°	B SMITH	10/31/16	2.5 Factory Series,	
.XXX [.XX] ± .005 [0,13]		CHK. BY		Tuned Combination 300	
THIRD ANGLE PROJECTION		ENG.	B SMITH	10/31/16	SIZE DWG. NO.
		MFG.			C 807-24-300
DO NOT SCALE DRAWING		ADD.			PLOT SCALE .50 : 1
				SHEET 1 OF 2	

4

3

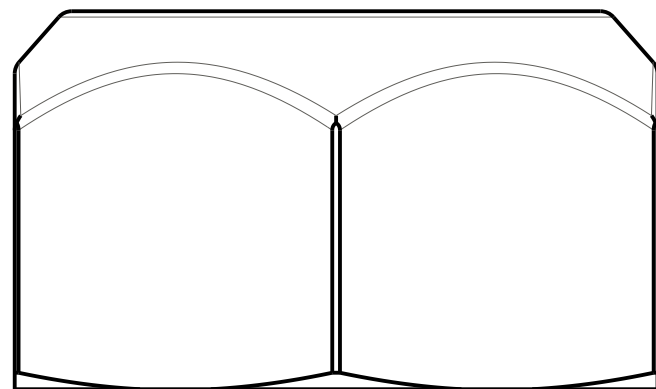
2

4

3

2

1



BACK UP WASHER



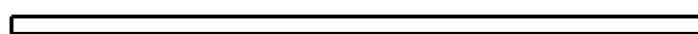
BACK UP WASHER



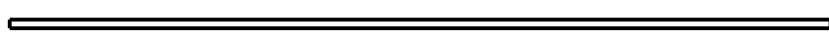
BACK UP WASHER



0.800 X .020



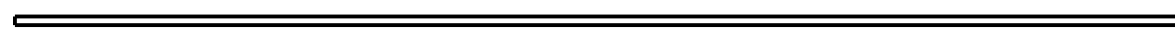
0.800 X .020



0.950 X .010



1.100 X .010



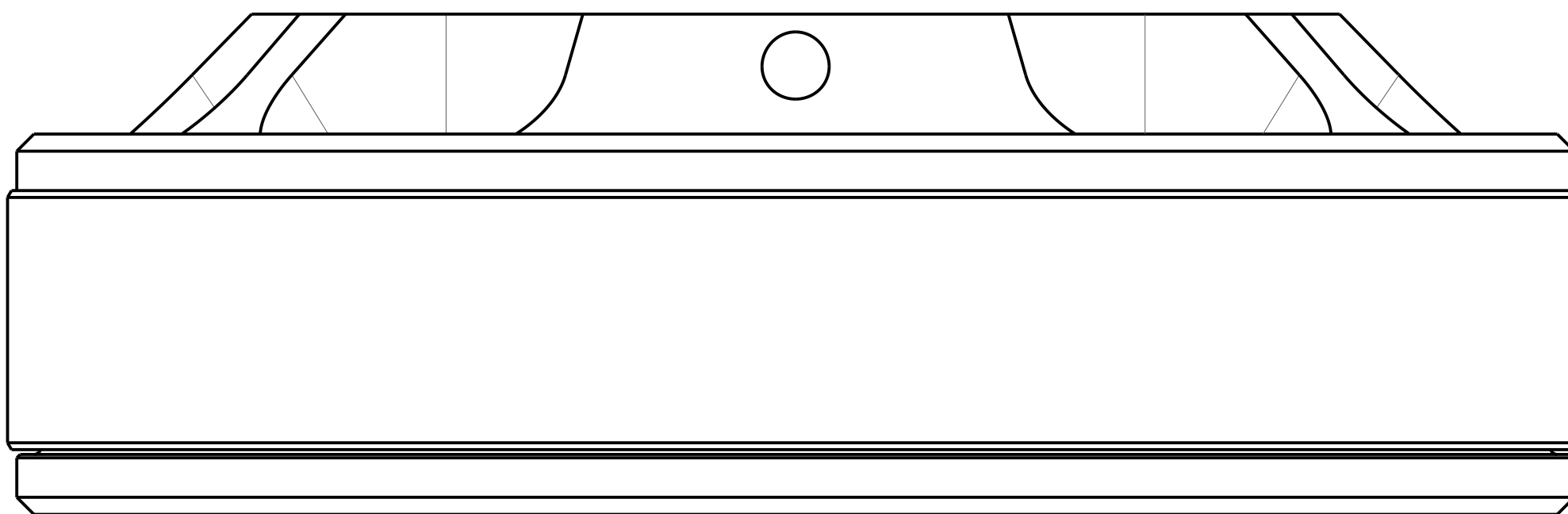
1.350 X .010



1.425 X .008



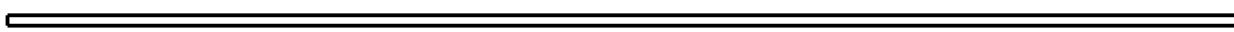
1.600 X .008



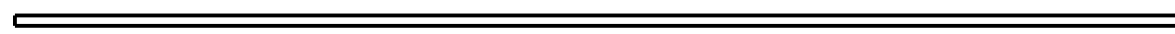
1.800 X .010



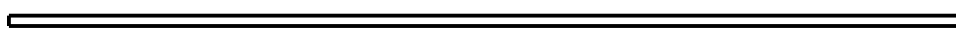
1.600 X .010



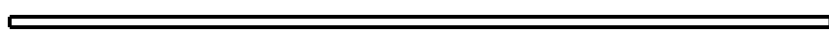
1.425 X .012



1.350 X .012



1.100 X .012



0.950 X .012



0.800 X .020



TOP OUT WASHER

D

D

C

C

B

B

A

A

- PROPRIETARY -
 THIS DOCUMENT CONTAINS CONFIDENTIAL, PROPRIETARY INFORMATION
 THAT IS FOX PROPERTY. DO NOT DISCLOSE TO OR DUPLICATE
 FOR OTHERS EXCEPT AS AUTHORIZED BY FOX.

SIZE C	DWG. NO. 807-24-300	REV.
PLOT SCALE 1.50:1 SHEET		2 OF 2

4

3

2

1