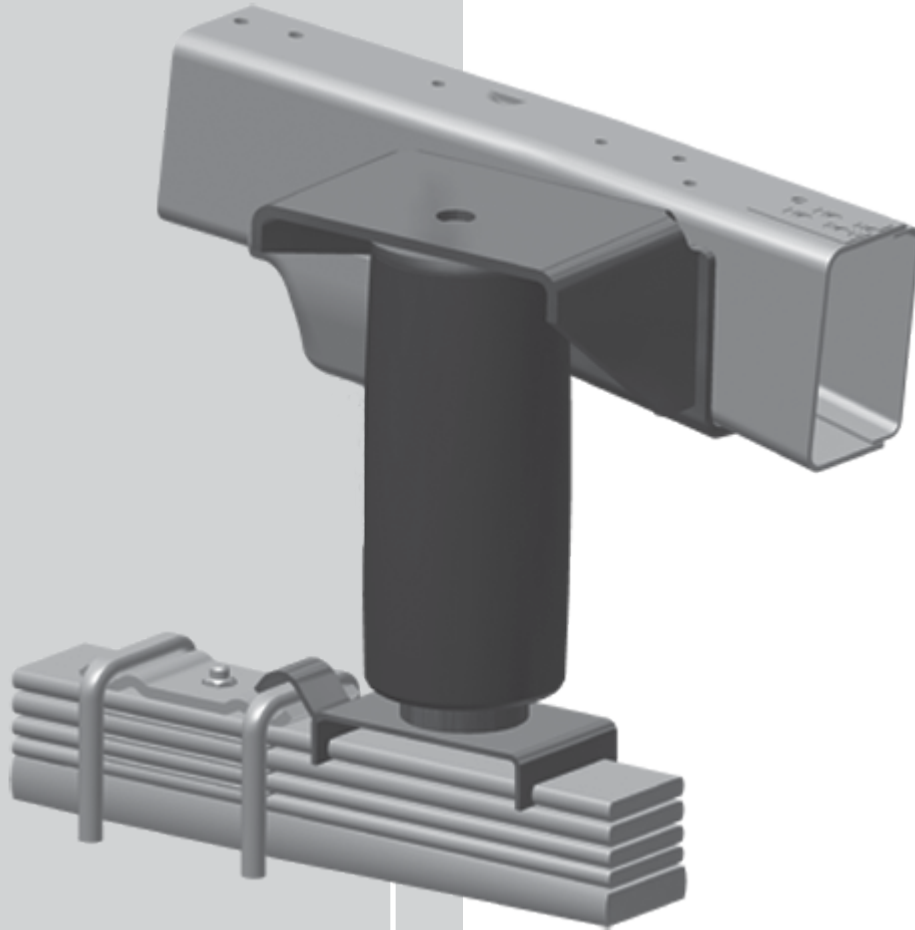


RideCONTROL™
by AIR LIFT®

Kit 59565, 59567

***Chevrolet Silverado 1500
and GMC Sierra 1500***



INSTALLATION GUIDE

For maximum effectiveness and safety, please read these instructions completely before proceeding with installation.

Failure to read these instructions can result in an incorrect installation.

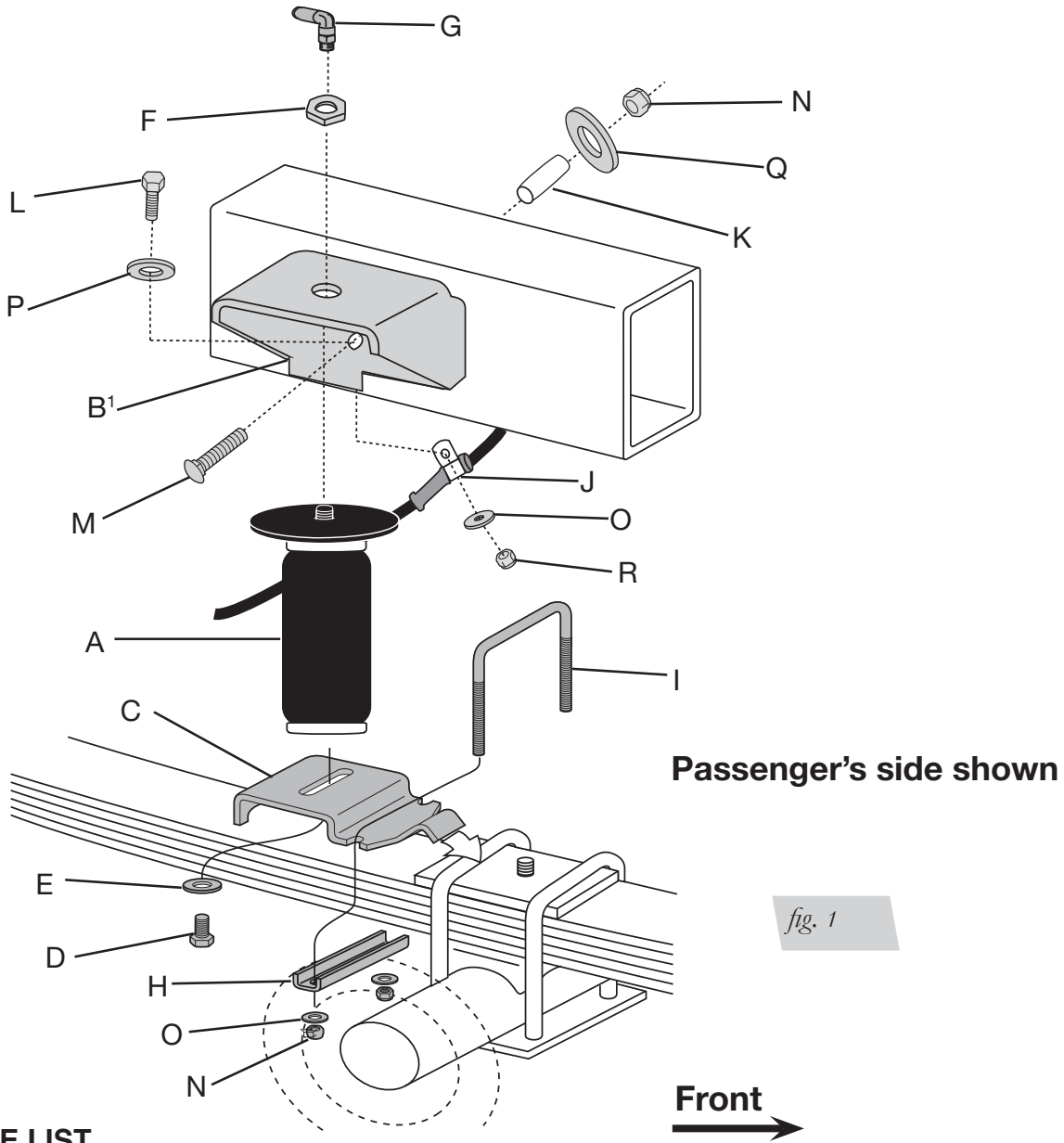


TABLE OF CONTENTS

Installation Diagram	2
Hardware List	2
Tools List	2
Introduction	3
Important Safety Notice	3
Notation Explanation	3
Installing the RideControl System	4
Getting Started	4
Attaching the Upper Bracket to the Frame	4
Assembling the Air Sleeve	6
Installing the Air Assembly	6
Before Operating	9
Checking for Leaks	9
Fixing Leaks	9
Installation Checklist	10
Post-Installation Checklist	10
Product Use, Maintenance and Servicing	11
Minimum and Maximum Pressure	11
Maintenance Guidelines	11
Tuning the Air Pressure	12
Guidelines for Adding Air	12
Frequently Asked Questions	13
Limited Warranty and Return Policy	17
Replacement Part Information	17
Contact Information	17



Installation Diagram



HARDWARE LIST

Item	Part #	Description.....Qty	Item	Part #	Description..... Qty
A	58571	Air sleeve.....2	N	18435	3/8"-16 Nylon lock nut.....6
B ¹	07234	Passenger's (right) side upper bracket (59565) 1	O	18444	3/8" Flat washer.....6
B ²	07375	Driver's (left) side upper bracket (59565)1	P	18447	Medium OD washer2
B ³	07262	Passenger's (right) side upper bracket (59567) 2	Q	10956	Large OD washer2
B ⁴	07335	Driver's side (left) upper bracket (59567)2	R	18476	3/8" Nylon lock nut G8 (gold).....2
C	03616	Lower bracket.....2			
D	17124	1/2"-13 x 7/8" Bolt.....2	*AA	20086	Air line assembly1
E	18414	1/2" Flat washer.....2	*BB	10466	Zip tie.....6
F	18454	3/4"-16 Nylon nut.....2	*CC	21230	Valve caps.....2
G	21837	90° Swivel elbow fitting.....2	*DD	18501	Flat washer.....2
H	01426	Clamp bar2	*EE	21234	Rubber washer.....2
I	10583	U-bolt.....2	*FF	18411	Small star washer.....2
J	10778	ABS sensor harness clip.....2	*GG	21233	5/16" Hex nut.....4
K	13967	Frame spacer.....2			
L	17106	3/8"-16 x 1 1/2" Bolt.....2			
M	17362	3/8"-16 x 5" Carriage bolt.....2			

*Not shown in fig. 1.

Introduction

The purpose of this publication is to assist with the installation and maintenance of the RideControl air spring kit for the Chevrolet Silverado 1500 and GMC Sierra 1500. The air springs used in RideControl kits are designed and manufactured like a tire. The air springs have layers of rubber and cords that control the bag's growth and funnel it in one direction. The bags do not require a coil spring for control. RideControl kits utilize a sleeve-style air bag that provides up to 2,000 pounds (907kg) of load-leveling support. Each sleeve is rated at a maximum of 100 PSI (7BAR).

It is important to read and understand the entire installation guide before beginning installation or performing maintenance, service or repair. The information here includes a hardware list, tool list, step-by-step installation information, maintenance tips and safety information.

Air Lift Company reserves the right to make changes and improvements to its products and publications at any time. Contact Air Lift Company at **(800) 248-0892** or visit **www.airliftcompany.com** for the latest version of this manual.

IMPORTANT SAFETY NOTICE

The installation of this kit does not alter the gross vehicle weight rating (GVWR) or payload of the vehicle. Check the vehicle owner's manual and do not exceed the maximum load listed for the vehicle.

Gross vehicle weight rating: The maximum allowable weight of the fully loaded vehicle (including passengers and cargo). This number — along with other weight limits, as well as tire, rim size and inflation pressure data — is shown on the vehicle's Safety Compliance Certification Label.

Payload: The combined, maximum allowable weight of cargo and passengers that the truck is designed to carry. Payload is GVWR minus the base curb weight.

NOTATION EXPLANATION

Hazard notations appear in various locations in this publication. Information which is highlighted by one of these notations must be observed to help minimize risk of personal injury or possible improper installation which may render the vehicle unsafe. Notes are used to help emphasize areas of procedural importance and provide helpful suggestions. The following definitions explain the use of these notations as they appear throughout this guide.



DANGER

INDICATES IMMEDIATE HAZARDS WHICH WILL RESULT IN SEVERE PERSONAL INJURY OR DEATH.



WARNING

INDICATES HAZARDS OR UNSAFE PRACTICES WHICH COULD RESULT IN SEVERE PERSONAL INJURY OR DEATH.



CAUTION

INDICATES HAZARDS OR UNSAFE PRACTICES WHICH COULD RESULT IN DAMAGE TO THE MACHINE OR MINOR PERSONAL INJURY.

NOTE

Indicates a procedure, practice or hint which is important to highlight.

Installing the RideControl System

CAUTION

DO NOT INFLATE ASSEMBLY WHEN IT IS UNRESTRICTED. ASSEMBLY MUST BE RESTRICTED BY SUSPENSION OR OTHER ADEQUATE STRUCTURE. DO NOT INFLATE BEYOND 100 PSI (7BAR). IMPROPER USE OR OVER-INFLATION MAY CAUSE ASSEMBLY TO BURST CAUSING PROPERTY DAMAGE OR SEVERE PERSONAL INJURY.

IMPORTANT: Your vehicle may be equipped with a rear brake proportioning valve. Any type of load assist product could affect brake performance. If equipped with a brake proportioning valve, we recommend that you check with your dealer before installing this type of product. If your vehicle does not have a rear brake proportioning valve or is equipped with an anti-lock type brake system, installation of a load assist product will have no effect on brake system performance.

GETTING STARTED

1. Raise the vehicle and support the axle with jack stands, setting the jack stands as wide as possible on the axle (Fig. 2).
2. Remove the wheels.

NOTE

Some late models are equipped with inner fender wells. It will be necessary to remove or trim the area out, where the air spring assembly mounts, in order to obtain clearance between the air spring assembly and inner liner.

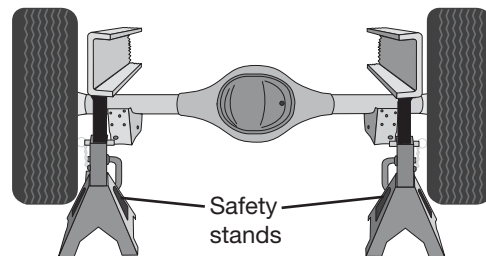
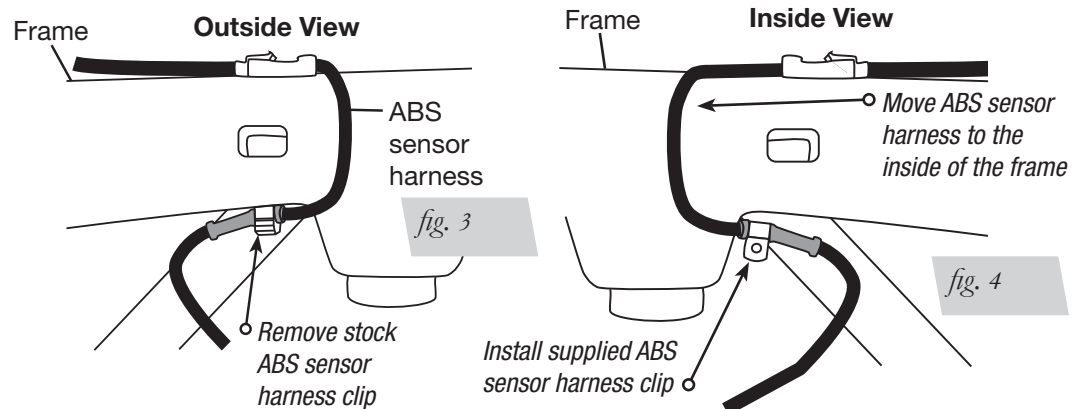


fig. 2

ATTACHING THE UPPER BRACKET TO THE FRAME

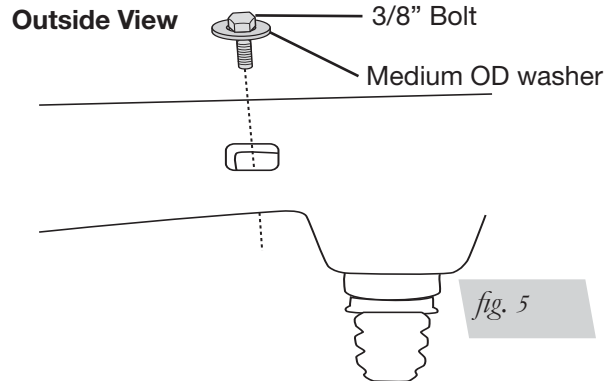
1. If equipped, pry the stock anti-lock brake system (ABS) sensor harness clamp out from the bottom of the frame and remove the stock sensor harness clip from the ABS sensor harness (Fig. 3).
2. Attach the supplied sensor harness clip to the sensor harness (Fig. 4).
3. Disconnect the ABS sensor at the connector on top of the frame. Move the ABS sensor harness from the outside of the frame to the inside of the frame and reconnect the ABS sensor back into the wiring harness (Figs. 3 & 4).



4. Insert a 3/8" bolt and medium OD washer into the frame, using the large slot behind the axle, so that the bolt extends through the bottom frame hole (Fig. 5).

NOTE

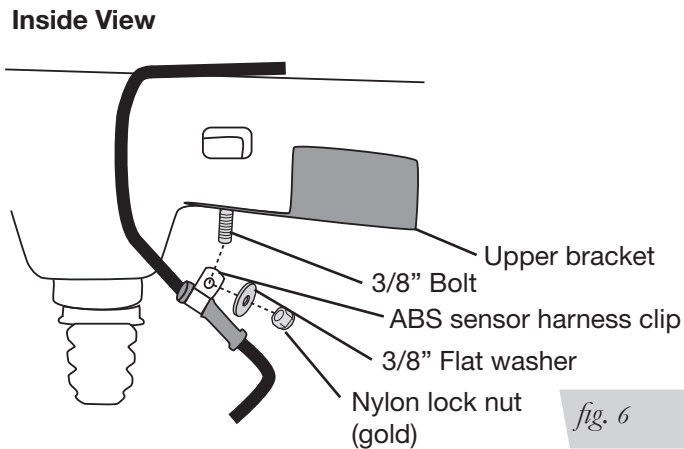
This is the ABS sensor harness hole from which the stock ABS sensor harness clip was previously removed.



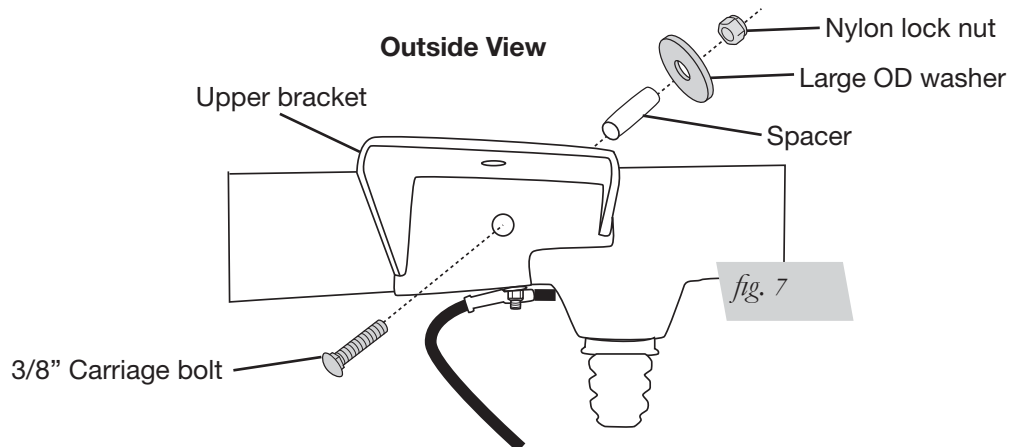
5. Attach the upper bracket to the frame behind the axle, making sure the previously inserted bolt goes through the hole on the bottom of the bracket (Fig. 6).
6. Attach the brake line clip, 3/8" flat washer and nylon lock nut to the bottom of the bolt. While holding the bolt and washer through the frame hole with a wrench. Torque to 44 lb.-ft. (60Nm) (Fig. 6).

CAUTION

TIGHTEN NUT WHILE KEEPING THE ABS LINE PARALLEL TO THE FRAME SO THE LINE DOES NOT RUB ON THE AIR SPRING.

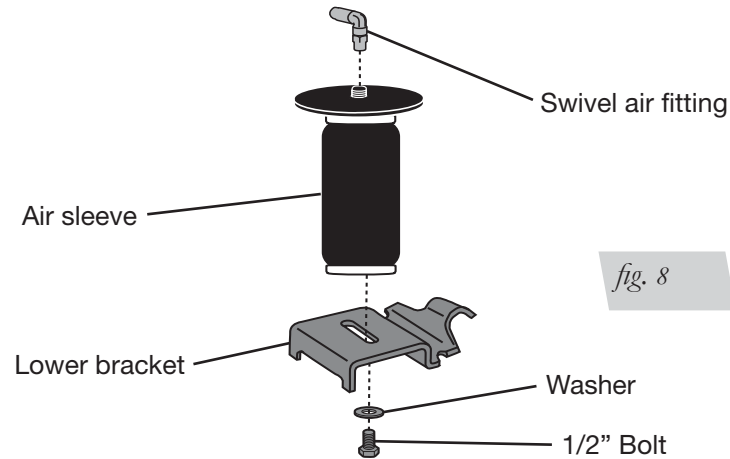


7. Insert the long 3/8" carriage bolt through the center of the upper bracket, into the frame, through a spacer, and out the back side of the frame. Attach a large OD washer and nylon lock nut over the protruding bolt (Fig. 7). Tighten securely.



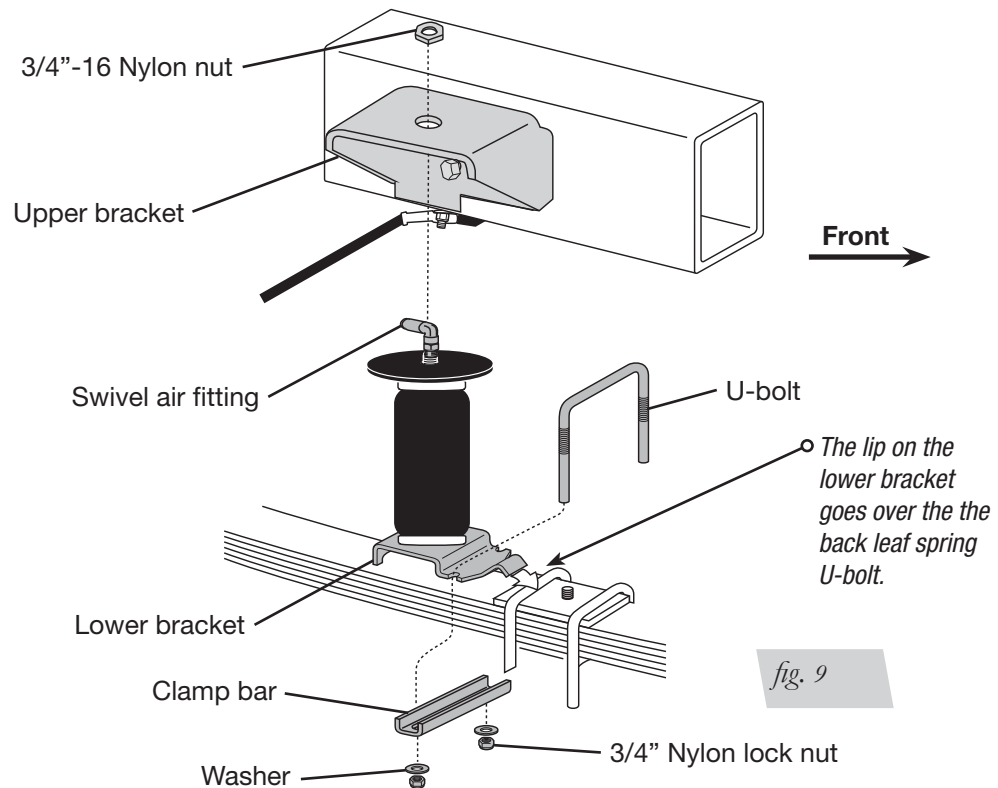
ASSEMBLING THE AIR SLEEVE

1. Install the swivel air fitting onto the air sleeve finger tight plus 1-1/2 turns (Fig. 8). Do not overtighten.
2. Attach the lower bracket to the bottom of the air sleeve with a flat washer and 1/2" bolt (Fig. 8). Leave loose at this time.



INSTALLING THE AIR SPRING ASSEMBLY

1. Attach the assembly to the upper bracket, allowing the swivel air fitting to go through the top of the bracket (Fig. 9). Attach the air sleeve to the top bracket using a 3/4" nylon nut. Tighten nut. **DO NOT** torque over 4 lb.-ft. (5Nm).
2. Set assembly onto the leaf springs so that the lip on the front side of the lower bracket hooks over the rear stock U-bolt (Fig. 9).
3. Attach the supplied U-bolt over the lower bracket and leaf springs and into the clamp bar. Cap with flat washers and nylon lock nuts (Fig. 9). Torque to 16 lb.-ft. (22Nm).



Installing the Air Lines

1. Choose a convenient location for mounting the inflation valves. Popular locations for the inflation valve are:
 - a. The wheel well flanges
 - b. The license plate recess in bumper
 - c. Under the gas cap access door
 - d. Through the license plate

NOTE

Whatever the chosen location, make sure there is enough clearance around the inflation valves for an air chuck.

2. Drill two 5/16" (8mm) holes to install the inflation valves.
3. Cut the air line assembly in two equal lengths.

TIPS FOR INSTALLING AIR LINES

When cutting air lines, use a sharp knife or a hose cutter and make clean, square cuts (Fig. 10). Do not use scissors or wire cutters because these tools may deform the air line, causing it to leak around fittings. Do not cut the lines at an angle.

Do not bend the 1/4" hose at a radius of less than 1" (25mm) or bend the 3/8" hose at a radius of less than 1-1/2" (38mm). Do not put side load pressure on fitting. The hose should be straight beyond the fitting for 1" before bending.

Inspect hose for scratches that run lengthwise on hose prior to installation. Contact Air Lift customer service at (800) 248-0892 if the air line is damaged.



Go to air-lift.co/cuttingairline to watch a video demonstrating proper air line cutting.

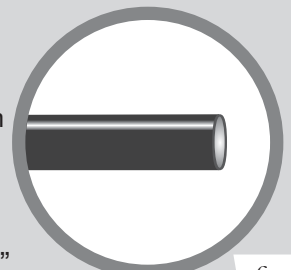


fig. 10



4. Place a 5/16" nut and star washer on the air valve. Leave enough of the inflation valve in front of the nut to extend through the hole and have room for the rubber washer, flat washer, and 5/16" nut and cap. There should be enough valve exposed after installation – approximately 1/2" (13mm) – to easily apply a pressure gauge or an air chuck (Fig. 11).

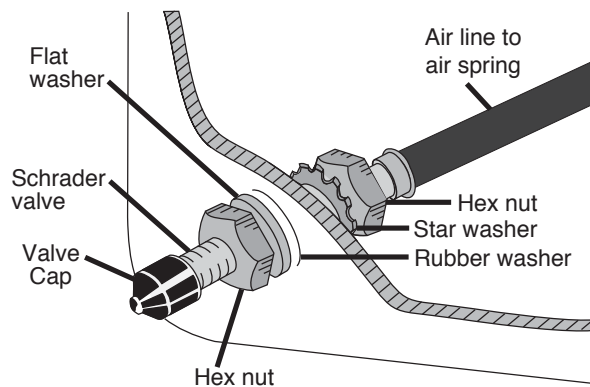
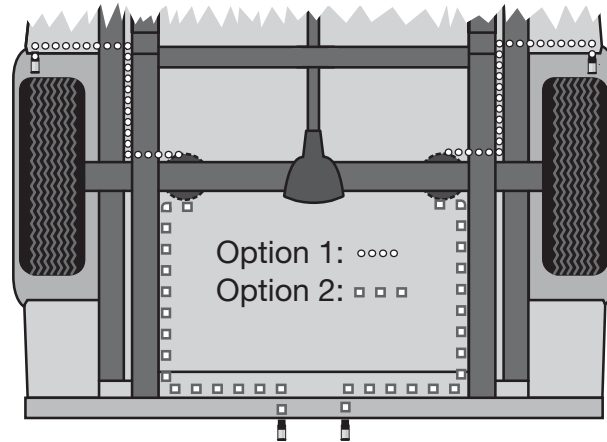


fig. 11

5. Push the inflation valve through the hole and use the rubber washer, flat washer and another 5/16" nut to secure it in place. Tighten the nuts to secure the assembly.

6. Route the air line along the frame to the air fitting on the air spring (Fig. 12). Keep AT LEAST 6" (150mm) of clearance between the air line and heat sources, such as the exhaust pipes, muffler, or catalytic converter. Avoid sharp bends and edges. Use plastic zip ties to secure the air line to fixed points along the chassis. Be sure that the zip ties are tight, but do not pinch the air line. Leave at least 2" (50mm) of slack to allow for any movement that might pull on the air line.

*fig. 12*

7. Cut off the air line, leaving approximately 12" (300mm) of extra air line. A clean square cut will prevent leaks. Insert the air line into the air fitting. This is a push-to-connect fitting. Simply push the air line into the 90-degree swivel fitting until it bottoms out (9/16" [14mm] of air line should be in the fitting).
8. Repeat the installation procedure for the remaining side of the vehicle. Inflate the sleeves to 10 PSI (.7BAR) and adjust the sleeve in the lower bracket slot so the sleeve is perpendicular to the mounting brackets. Tighten the 1/2" bottom bolt securely. Reinstall the wheels.

Before Operating

CHECKING FOR LEAKS

1. Inflate the air spring to 30 PSI (2BAR).
2. Spray all connections and the inflation valves with a solution of liquid dish soap and water. Spot leaks easily by looking for bubbles in the soapy water.
3. After the test, deflate the springs to the minimum pressure required to restore the system to normal ride height. Do not deflate to lower than 5 PSI (.34BAR).
4. Check the air pressure again after 24 hours. A 2-4 PSI (.14-.28BAR) loss after initial installation is normal. Retest for leaks if the loss is more than 5 PSI (.34BAR).

FIXING LEAKS

1. If there is a problem with the swivel fitting:
 - a. Check the air line connection by deflating the spring and removing the line by pulling the collar against the fitting and pulling firmly on the air line. Trim 1" (25mm) off the end of the air line. Be sure the cut is clean and square (see Fig. 10). Reinsert the air line into the push-to-connect fitting.
 - b. Check the threaded connection by tightening the swivel fitting another half turn. If it still leaks, deflate the air spring, remove the fitting, and re-coat the threads with thread sealant. Reinstall by hand tightening as much as possible and then use a wrench for an additional two turns.
2. If there is a problem with the inflation valve:
 - a. Check the valve core by tightening it with a valve core tool.
 - b. Check the air line by removing the air line from the barbed type fitting. Cut the air line off a few inches in front of the fitting and use a pair of pliers or vice grips to pull/twist the air line off of the fitting.



CAUTION

DO NOT CUT OFF THE AIR LINE COMPLETELY AS THIS WILL USUALLY NICK THE BARB AND RENDER THE FITTING USELESS.

3. If the preceding steps have not resolved the problem, call Air Lift customer service at **(800) 248-0892**.

INSTALLATION CHECKLIST

- Clearance test** — Inflate the air springs to 75-90 PSI and make sure there is at least 1/2" clearance from anything that might rub against each sleeve. Be sure to check the tire, brakes, frame, shock absorbers and brake cables.

- Leak test before road test** — Inflate the air springs to 75-90 PSI (5.2-6.2BAR) and check all connections for leaks. All leaks must be eliminated before the vehicle is road tested.

- Heat test** — Be sure there is sufficient clearance from heat sources, at least 6" (150mm) for air springs and air lines. If a heat shield was included in the kit, install it. If there is no heat shield, but one is required, call Air Lift customer service at **(800) 248-0892**.

- Fastener test** — Recheck all bolts for proper torque.

- Road test** — The vehicle should be road tested after the preceding tests. Inflate the springs to recommended driving pressures. Drive the vehicle 10 miles (16km) and recheck for clearance, loose fasteners and air leaks.

- Operating instructions** — If professionally installed, the installer should review the operating instructions with the owner. Be sure to provide the owner with all of the paperwork that came with the kit.

POST-INSTALLATION CHECKLIST

- Overnight leak down test** — Recheck air pressure after the vehicle has been used for 24 hours. If the pressure has dropped more than 5 PSI (.34BAR), then there is a leak that must be fixed. Either fix the leak yourself or return to the installer for service.

- Air pressure requirements** — It is important to understand the air pressure requirements of the air spring system. Regardless of load, the air pressure should always be adjusted to maintain adequate ride height at all times while driving.

- Thirty-day or 500-mile (800km) test** — Recheck the air spring system after 30 days or 500 miles (800km), whichever comes first. If any part shows signs of rubbing or abrasion, the source should be identified and moved, if possible. If it is not possible to relocate the cause of the abrasion, the air spring may need to be remounted. If professionally installed, the installer should be consulted. Check all fasteners for tightness.

Product Use, Maintenance and Servicing

Minimum Recommended Pressure	Maximum Air Pressure
5 PSI (.34BAR)	100 PSI (7BAR)

NOTE

By following the steps below, vehicle owners will obtain the longest life and best results from their air springs.

1. Check air pressure weekly.
2. Always maintain normal ride height. Never inflate beyond 100 PSI (7BAR).
3. If you develop an air leak in the system, use a soapy water solution to check all air line connections and the inflation valve core before deflating and removing the air spring.



CAUTION

FOR SAFETY AND TO PREVENT POSSIBLE DAMAGE TO THE VEHICLE, DO NOT EXCEED MAXIMUM GROSS VEHICLE WEIGHT RATING (GVWR), AS INDICATED BY THE VEHICLE MANUFACTURER. ALTHOUGH THE AIR SPRINGS ARE RATED AT A MAXIMUM INFLATION PRESSURE OF 100 PSI, THE AIR PRESSURE ACTUALLY NEEDED IS DEPENDENT ON LOAD AND GVWR.

4. Loaded vehicles require at least 25 PSI (1.7BAR). A “loaded vehicle” refers to a vehicle with a heavy bed load, a trailer or both. Never exceed GVWR, regardless of air spring, air pressure or other load assist. The springs in this kit will support approximately 40 pounds (18kg) of load (combined on both springs) for each 1 PSI (.07BAR) of pressure. The required air pressure will vary depending on the state of the original suspension. Operating the vehicle below the minimum air spring pressure will void the Air Lift warranty.
5. When increasing load, always adjust air pressure to maintain normal ride height. Increase or decrease pressure from the system as necessary to attain normal ride height for optimal ride and handling. Remember that loads carried behind the axle (including tongue loads) require more leveling force (pressure) than those carried directly over the axle.
6. Always add air to springs in small quantities, checking the pressure frequently.
7. Should it become necessary to raise the vehicle by the frame, make sure the system is at minimum pressure (5 PSI [.34BAR]) to reduce the tension on the suspension/ brake components. Use of on-board leveling systems do not require deflation or disconnection.
8. Periodically check the air spring system fasteners for tightness. Also, check the air springs for any signs of rubbing. Realign if necessary.
9. On occasion, give the air springs a hard spray with a garden hose to remove mud, sand, gravel or other debris.

TUNING THE AIR PRESSURE

Pressure determination comes down to three things — level vehicle, ride comfort and stability.

1. Level vehicle

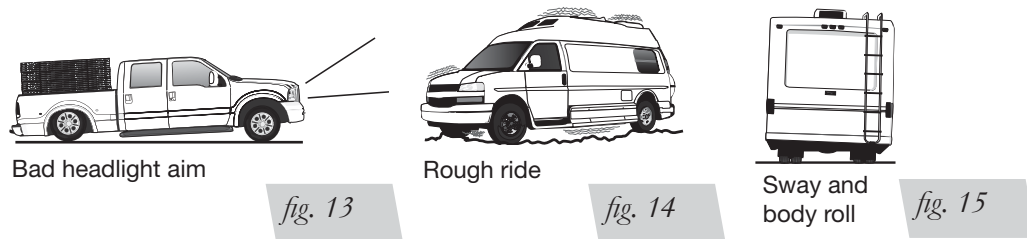
If the vehicle's headlights are shining into the trees or the vehicle is leaning to one side, then it is not level (Fig. 13). Raise the air pressure to correct either of these problems and level the vehicle.

2. Ride comfort

If the vehicle has a rough or harsh ride it may be due to either too much pressure or not enough (Fig. 14). Try different pressures to determine the best ride comfort.

3. Stability

Stability translates into safety and should be the priority, meaning the driver may need to sacrifice a perfectly level and comfortable ride. Stability issues include roll control, bounce, dive during braking and sponginess (Fig. 15). Tuning out these problems usually requires an increase in pressure.



Bad headlight aim

fig. 13

Rough ride

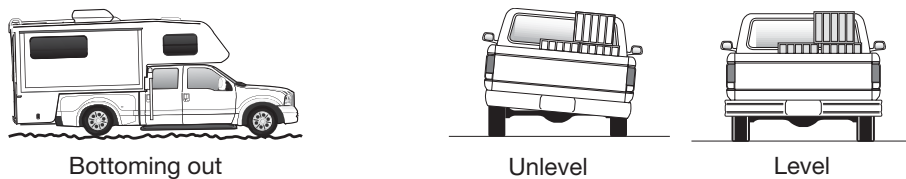
fig. 14

Sway and
body roll

fig. 15

Guidelines for Adding Air

1. Start with the vehicle level or slightly above.
2. When in doubt, always add air.
3. If the front of the vehicle dives while braking, increase the pressure in the front air bags, if equipped.
4. If it is ever suspected that the air bags have bottomed out, increase the pressure (Fig. 16).
5. Adjust the pressure up and down to find the best ride.
6. If the vehicle rocks and rolls, adjust the air pressure to reduce movement.
7. It may be necessary to maintain different pressures on each side of the vehicle. Loads such as water, fuel, and appliances will cause the vehicle to be heavier on one side (Fig. 17). As much as a 50 PSI (3.5BAR) difference is not uncommon.



Bottoming out

fig. 16

Unlevel

Level

fig. 17

Frequently Asked Questions

Q. The system won't maintain pressure overnight. What could be wrong?

One of the air lines may be improperly installed or a line may have a hole or crack. Start by leak testing the air line connections. If no leaks are found, look for leaks in the rest of the air lines. Follow the steps in "Fixing Leaks."

Q. One of the corners won't rise.

Look for a kink or fold in the air line going to that air spring. Replace any line that has been kinked.

Q. Will installing air springs increase the weight ratings of a vehicle?

No. Adding air springs will not change the weight ratings (GAWR, GCWR and/or GVWR) of a vehicle. Exceeding the GVWR is dangerous and voids the Air Lift warranty.

Q. Is it necessary to keep air in the air springs at all times and how much pressure will they need?

The recommended minimum air pressure is 5 PSI (.34BAR).

Q. Is it necessary to add a compressor system to the air springs?

No. Air pressure can be adjusted with any type of compressor as long as it can produce sufficient pressure to service the springs. Even a bicycle tire pump can be used, but it's a lot of work.

Q. How long should air springs last?

If the air springs are properly installed and maintained they can last indefinitely.

Q. Will raising the vehicle on a hoist for service work damage the air springs?

No. The vehicle can be lifted on a hoist for short-term service work such as tire rotation or oil changes. However, if the vehicle will be on the hoist for a prolonged period of time, support the axle with jack stands in order to take the tension off of the air springs.

Notes



Notes

Notes

Limited Warranty and Return Policy

Air Lift Company provides a limited lifetime warranty to the original purchaser of its Load Support products, that the products will be free from defects in workmanship and materials when used on cars and trucks as specified by Air Lift Company and under normal operating conditions, subject to the requirements and exclusions set forth in the full Limited Warranty and Return Policy that is available online at www.airliftcompany.com/warranty.

For additional warranty information contact Air Lift Company customer service.

Replacement Part Information

If replacement parts are needed, contact the local dealer or call Air Lift customer service at **(800) 248-0892**. Most parts are immediately available and can be shipped the same day.

Contact Air Lift Company customer service at (800) 248-0892 first if:

- Parts are missing from the kit.
- Need technical assistance on installation or operation.
- Broken or defective parts in the kit.
- Wrong parts in the kit.
- Have a warranty claim or question.

Contact the retailer where the kit was purchased:

- If it is necessary to return or exchange the kit for any reason.
- If there is a problem with shipping if shipped from the retailer.
- If there is a problem with the price.

Contact Information

Mailing address	P.O. Box 80167 Lansing, MI 48908-0167
Shipping address for returns	2727 Snow Road Lansing, MI 48917
Phone	Toll free: (800) 248-0892 International: (517) 322-2144
Email	service@airliftcompany.com
Web address	www.airliftcompany.com

Need Help?

Contact Air Lift Company customer service department by calling (800) 248-0892.

For calls from outside the USA or Canada, dial (517) 322-2144.



Thank you for purchasing Air Lift products — the professional installer's choice!

Air Lift Company • 2727 Snow Road • Lansing, MI 48917 or P.O. Box 80167 • Lansing, MI 48908-0167
Toll Free (800) 248-0892 • Local (517) 322-2144 • Fax (517) 322-0240 • www.airliftcompany.com

Printed in the USA
JJC-0418