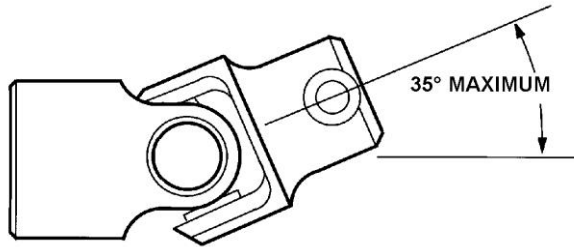


# BORGESON

**Steering You Forward**

## U-JOINT & SHAFT GENERAL INSTRUCTIONS

**1) MAXIMUM OPERATING ANGLE:** Borgeson single universal joints have a maximum operating angle of 35 degrees; double universal joints have a maximum operating angle of 70 degrees. Operation beyond the maximum operating angle can cause binding and damage to the universal joint.



**2) STEERING SHAFT INSERTION:** It is important to never insert the steering shaft further than the inside edge of the universal joint yoke (*see figure B below*). Over inserting the steering shaft will cause interference and damage to the universal joint.

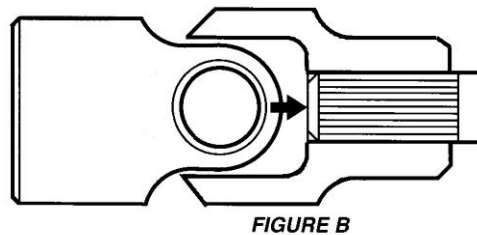


FIGURE B

**3) STEERING SHAFT ATTACHMENT:** Splined or DD style shafts are attached with set screws and lock nuts. For DD style shafts it is recommended to drill a small dimple for the set screw to sit into to prevent shaft from slipping inside the universal joint yoke (*figure A*). For splined shafts it is recommended to file a small flat for the set screw to sit in so it does exert all of its force on to the peak of one spline (*figure B*). Smooth bore joints do not include set screws. All smooth bore joints must be either pinned with two 3/16" roll pins (*figure C*) or properly welded for attachment.

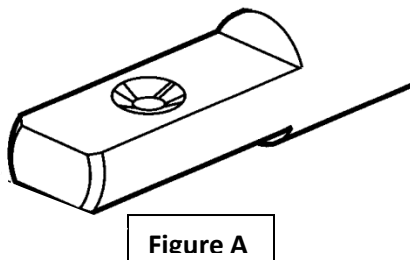


Figure A

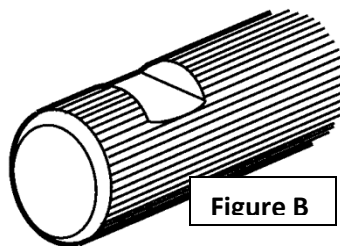


Figure B

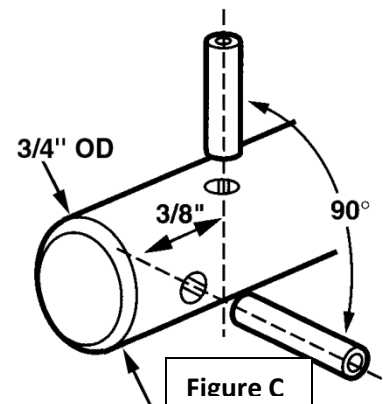


Figure C