

Owner's Manual with Installation Instructions

Banks Monster® Exhaust System

**Chevy/GMC 1500 Silverado/Sierra 4.3L & 5.3L,
Gas/FFV, 2014-2018 ECRB/CCSB/CCRB**

THIS MANUAL IS FOR USE WITH MONSTER EXHAUST
SYSTEM 48355 & 48355-B

Gale Banks Engineering
546 Duggan Avenue • Azusa, CA 91702
(626) 969-9600 • Fax (626) 334-1743

Product Information & Sales: (888) 635-4565
Customer Support: (888) 839-5600
Installation Support: (888) 839-2700

bankspower.com

General Installation Practices

If you have any questions concerning the installation of your Banks Monster Exhaust System, please call our Technical Service Hotline at (888) 839-2700 between 7:00 am and 4:00 pm (PT). If you have any questions relating to shipping or billing, please contact our Customer Service Department at (888) 839-5600.

Thank you.

1. Before starting work, familiarize yourself with the installation procedure by reading all of the instructions.
2. The exploded view (**Figure 1**) provides only general guidance. Refer to each step and section diagram in this manual for proper instruction.
3. Throughout this manual, the left side of the vehicle refers to the driver's side, and the right side to the passenger's side.
4. Disconnect the negative (ground) cable from the battery (or batteries, if there are two) before beginning work.
5. Route and tie wires and hoses a minimum of 6" away from exhaust heat, moving parts and sharp edges. Clearance of 8" or more is recommended where possible.
6. When raising the vehicle, support it on properly weight-rated safety stands, ramps or a commercial hoist. Follow the manufacturer's safety precautions. Take care to balance the vehicle to prevent it from slipping or falling. When using ramps, be sure the front wheels are centered squarely on the topsides. When raising the front of the vehicle, put the transmission in park, set the parking brake, and block the rear wheels. When raising the back

of the vehicle, be sure the vehicle is on level ground and the front wheels are blocked securely.

CAUTION! Do not use floor jacks to support the vehicle while working under it. Do not raise the vehicle onto concrete blocks, masonry or any other item not intended specifically for this use.

7. During installation, keep the work area clean. Do not allow anything to be dropped into intake, exhaust, or lubrication system components while performing the installation, as foreign objects will cause immediate engine damage upon start-up.

Tools Required:

- 1/2" and 3/8" drive ratchets with standard and metric sockets and 1/2" and 3/8" drive extension
- Standard and metric combination or open-end wrenches
- Standard screwdriver
- Clean shop towels or rags
- Pry-bar
- Reciprocating saw

Highly recommended tools and supplies:

- Foot-pound torque wrench
- Penetrating oil or light lubricant spray

General Assembly

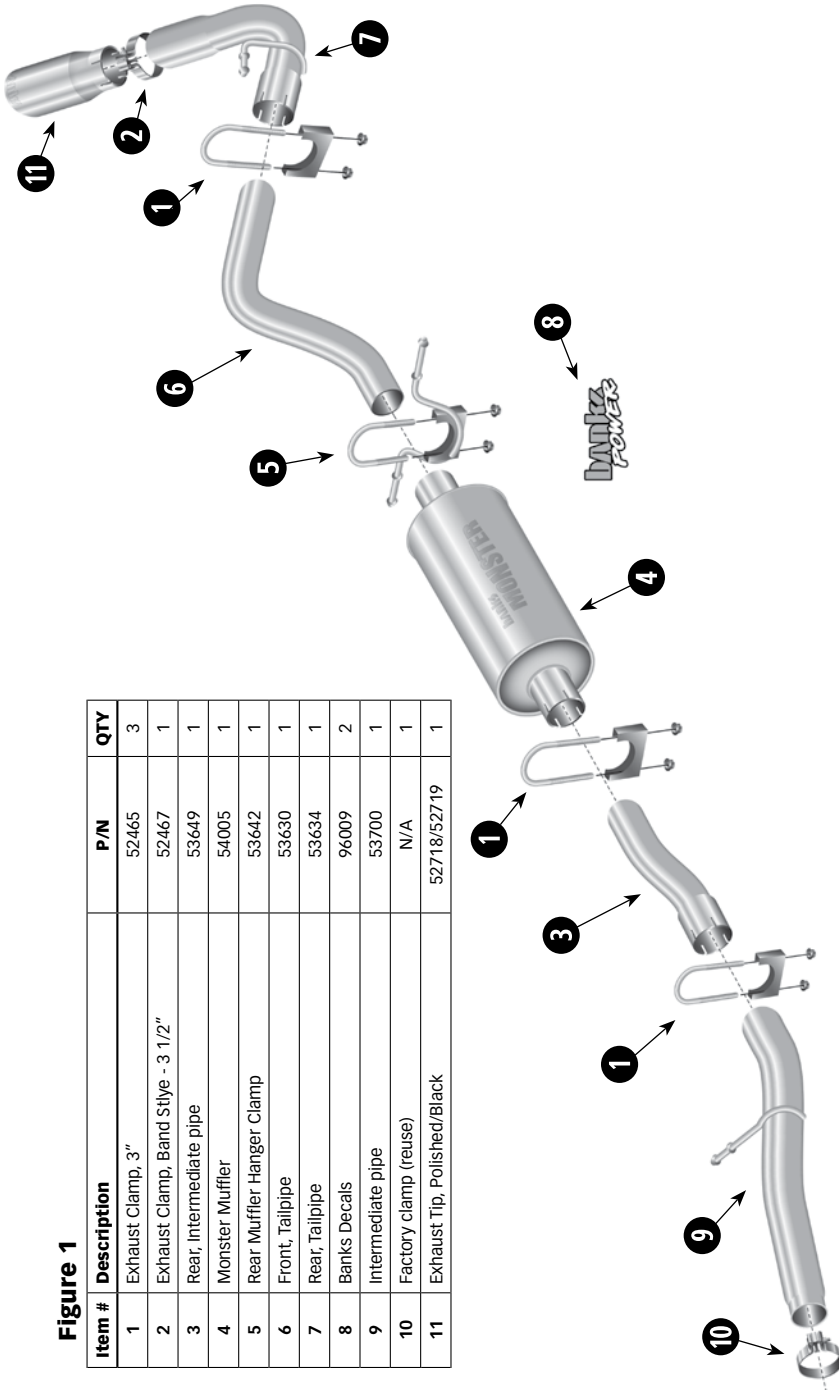


Figure 1

Item #	Description	P/N	QTY
1	Exhaust Clamp, 3"	52465	3
2	Exhaust Clamp, Band Style - 3 1/2"	52467	1
3	Rear, Intermediate pipe	53649	1
4	Monster Muffler	54005	1
5	Rear Muffler Hanger Clamp	53642	1
6	Front, Tailpipe	53630	1
7	Rear, Tailpipe	53634	1
8	Banks Decals	96009	2
9	Intermediate pipe	53700	1
10	Factory clamp (reuse)	N/A	1
11	Exhaust Tip, Polished/Black	52718/52719	1

Monster Exhaust System Installation

1. Disconnect the negative (ground) cable from the battery (if there is more than one battery, disconnect both negative cables). Secure the cable so it cannot accidentally come in contact with the post.

2. Raise the vehicle and support it securely with properly weight-rated safety stands, ramps or a commercial hoist. Take care to balance the vehicle to prevent it from slipping or falling. When using ramps, be sure the wheels are centered squarely on the topsides. Place the transmission in park (automatic), set the parking brake and securely block the wheels that are on the ground.

CAUTION: DO NOT WORK UNDER ANY VEHICLE SUPPORTED ONLY BY A JACK. SEVERE INJURY MAY RESULT.

3. Remove the tailpipe hanger pin from the rubber hanger. Remove the rear muffler hanger pin(s) from the rubber hanger(s). Remove the Intermediate pipe hanger pin from the rubber hanger. Remove factory intermediate pipe clamp and save (will be reused).

NOTE: Spray lubricant may assist in hanger pin removal. Rubber hangers can also be removed from the vehicle to assist in tailpipe / muffler removal.

4. Remove the tailpipe, muffler and intermediate pipe assembly from the vehicle. **For Crew Cab Regular Bed (6'6") skip to step 9.**

WARNING! The following step may require the use of a torch and/or saw. Proper safety equipment should be used. Failure to use proper safety equipment may result in severe injury.

5. *For Crew Cab Shortbed (5'6") and Extra Cab Regular Bed (6'6") only:* Locate the supplied Banks Intermediate pipe (PN# 53649). Measure 8 1/2" on the side that connects to muffler inlet and mark the location. (see **Figure 2**).

6. Take time when measuring and cutting the intermediate pipe to ensure the proper location and a straight cut. Improper cut will result in poor fitment of the Banks Monster Exhaust system. Using a reciprocating saw, cut the intermediate pipe.

7. Install the factory exhaust band clamp on the inlet of Banks intermediate pipe. Install Banks intermediate pipe. Be sure the intermediate pipe jog is orientated as shown in **Figure 3**. Lightly tighten the Exhaust clamp on the intermediate pipe inlet.

NOTE: All clamps should be positioned at the beginning of the slots (on the 1/2 circle punch).

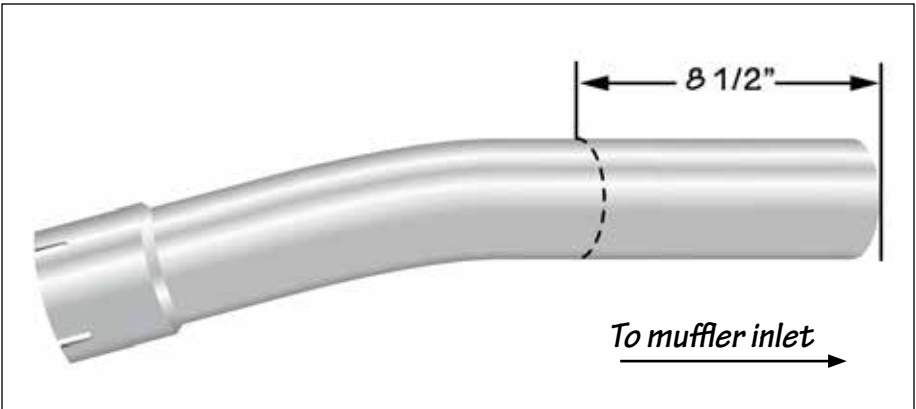
8. Position intermediate pipe next to the rubber hanger. Insert the hanger pin into the vehicles rubber hanger (see **Figure 3**).

9. Install the Monster Muffler inlet (Note the inlet labeling of the muffler) onto the intermediate pipe outlet. Orient the Monster logo such that is visible from the passenger side and parallel with the frame rail. Align the clamp onto the muffler inlet (see **Figure 3**).

NOTE: Once the pipe / muffler has been completely engaged in the slip joint, mark the pipe with a scribe or tape for reference when tightening the clamps later in the installation. Mark each slip joint in this fashion.

10. Install the rear muffler hanger clamp onto the Monster Muffler outlet.

Figure 2 Banks Rear Intermediate pipe (PN# 53649)



Insert the hanger pin into the vehicles rubber hanger (see **Figure 3**).

NOTE: For some models, only one factory rubber hanger is provided for supporting the rear muffler outlet.

11. From the vehicle rear, route the front tailpipe over the rear end. Install the front tailpipe into the Banks Muffler outlet. Lightly tighten the rear muffler hanger clamp to secure the front tailpipe. Install the Exhaust clamp onto the front tailpipe outlet. Install the rear tailpipe inlet into the front tailpipe outlet. Start the rear tailpipe hanger pin into the corresponding vehicle rubber hanger. Lightly tighten the exhaust clamp to secure the rear tailpipe.

12. Adjust the tip about 1/2" under

the body panel, such that the tip position is aesthetically pleasing.

13. Adjust each of the pipes to ensure that all of the hanger pins are parallel with the frame mounted pins and that the rubber hangers are all positioned slightly forward (See **Figure 5**). This allows the hangers to be properly positioned once the exhaust reaches operating temperature.

14. With the exhaust positioned properly, begin to evenly tighten the clamps starting with the ones closest to the front of the vehicle and working your way back. Make sure that each slip is fully inserted (+/-1/4").

15. Remove the protective covering from the tailpipe tip.

Figure 3 5.3L Model Shown

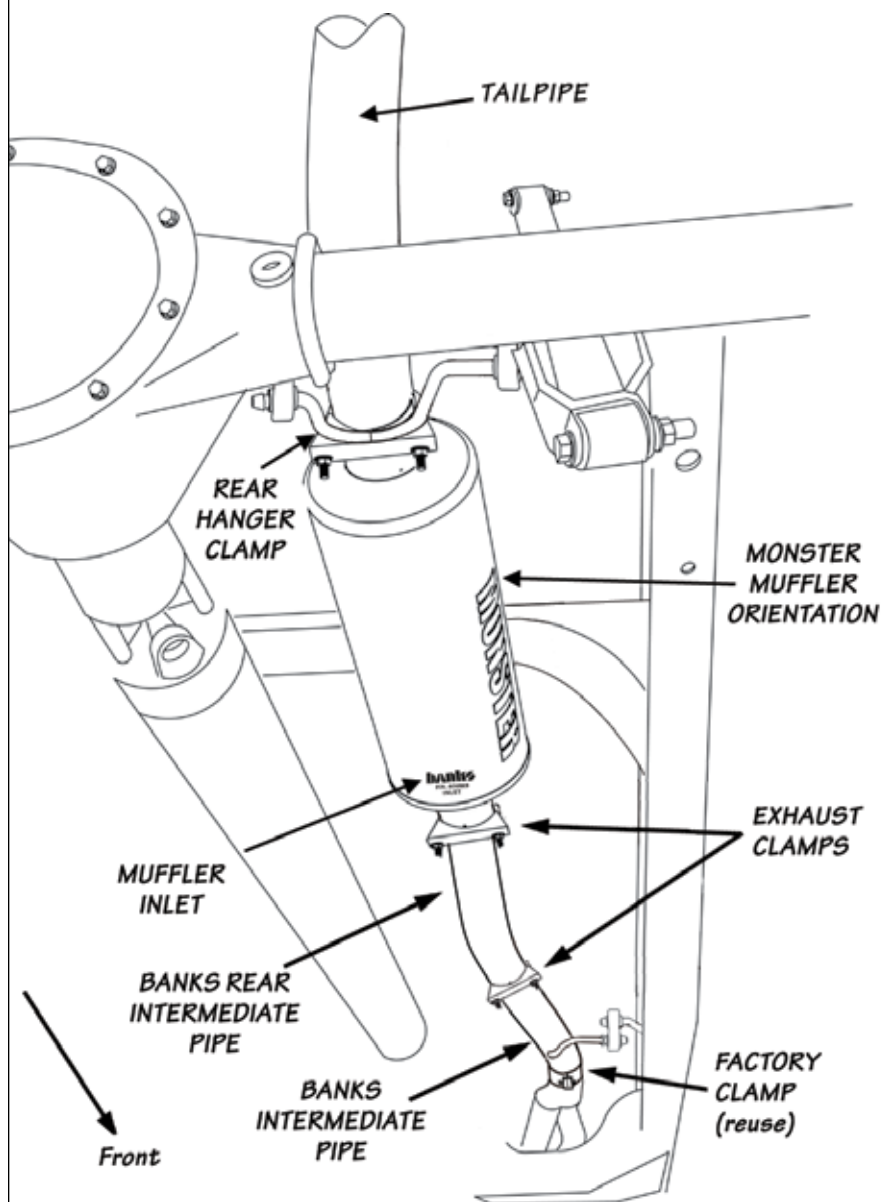
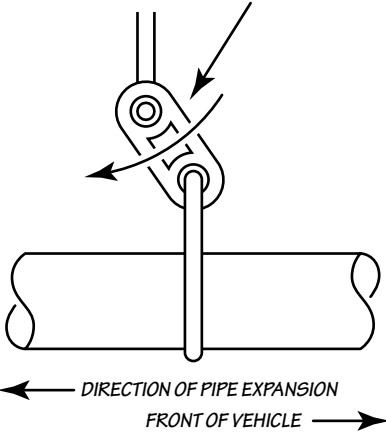


Figure 5

HANGER ANGLE SHOULD ALLOW PIPE TO EXPAND TOWARD REAR OF VEHICLE



CAUTION: the protective covering may ignite and burn if not removed prior to running the engine.

16. Your system includes two (2) Banks Power logos designed to complement the Chevy/GMC emblems on the vehicle's front doors. See **Figure 6** for recommended logo placement.

17. Re-connect the negative battery cable. Start the engine and listen for exhaust leaks. Tighten the exhaust clamps as necessary. Whenever possible, tack welding slip connections to prevent disengagement is recommended.

18. The Banks Monster Exhaust installation is now complete.

Figure 6



Gale Banks Engineering
546 Duggan Avenue • Azusa, CA 91702
(626) 969-9600 • Fax (626) 334-1743

Product Information & Sales: (888) 635-4565
Customer Support: (888) 839-5600
Installation Support: (888) 839-2700

bankspower.com