



Owner's Manual with Installation Instructions

Banks Techni-Cooler™ Intercooler Assembly

**2003-2007 Ford Power Stroke 6.0L Turbo-Diesel
F250/F350/F450/F550 Trucks & Excursions**

THIS MANUAL IS FOR USE WITH SYSTEMS 25974 & 25975

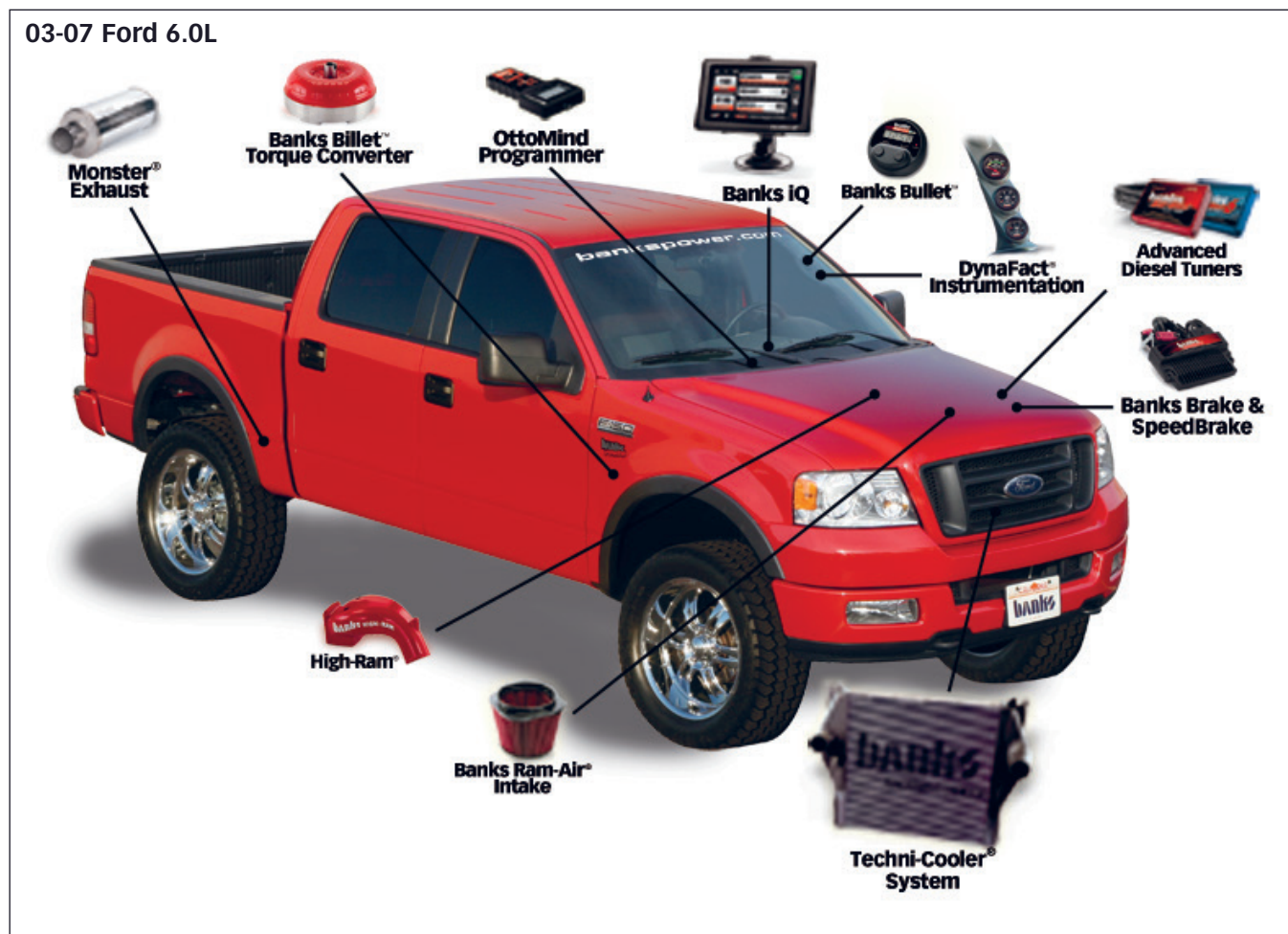
Gale Banks Engineering
546 Duggan Avenue • Azusa, CA 91702
(626) 969-9600 • Fax (626) 334-1743

Product Information & Sales: (800) 438-7693
Customer Support: (888) 839-5600
Installation Support: (888) 839-2700

bankspower.com



Also Available from Banks Power



Banks iQ System (P/N 61151-61152)

- 5" touchscreen interface that can control the Banks Diesel Tuner and/or SpeedBrake on the fly.
- Interchangeable gauge display, read and clear codes, monitor engine diagnostics, log data, time your vehicles runs and much more.

Banks Monster® Exhaust System

**Sport (P/N 48790-48793)
Single and Dual (P/N 47285-47292, 47606-47609, 48783-48788)**

- Increases exhaust flow, cuts backpressure, lowers exhaust gas temperatures (EGTs) and increases power.

Banks Ram-Air Intake System (P/N 42155)

- Increases your airflow over stock.
- Adds power, improves fuel economy, lowers EGTs and reduces smoke.

High-Ram Intake (P/N 42750-42751)

- Increases flow and provides more uniform air distribution to the engine for more available power at a given boost level.

Banks Brake (P/N 55467-55468)

- Increases the stopping power of your truck and extends the service life of your brakes

Banks Billet Torque Converter (P/N 72522)

- Higher torque capacity over stock
- Lockup clutch is slip-resistant so transmission fluids stay cooler and transmission life is prolonged.

Banks SpeedBrake iQ Compatible (P/N 55455-55456)

PDA Compatible (P/N 55457-55458)

- Allows for controlled hill decent at a user defined vehicle speed.

Boost and Pyro Gauges (P/N 64507)

- Keep your engine safe by monitoring vital engine parameters

**Banks Bullet
(P/N 66524-66525)**

- Adds power safely to your vehicle
- Displays critical engine functions
- Engine safeguards
- Change power levels on-the-fly

**Banks Diesel Tuner
Six-Gun w/ switch (P/N 61023)
Six-Gun w/ iQ (P/N 63749)
EconoMind w/ switch (P/N
63743-63745)
EconoMind w/ iQ (P/N 63747-
63748)**

- Adds power safely to your vehicle
- Engine and transmission safe guards
- Change power levels on-the-fly

Thermocouple

- Add a temperature limiting function to your Diesel Tuner

**OttoMind Programmer
(P/N 66064)**

- Contains Banks tunes that boost your vehicles HP, Torque and MPG.
- Displays a host of critical engine functions
- Provides "service technician" diagnostic capabilities
- Has upgradeable functionality, so it will never be out of date

**Banks Stinger Systems
(P/N 46465-46486)**

Contains:

- Ram-Air Intake system
- Monster Exhaust (single or dual)
- EconoMind Tuner w/ Banks iQ

**Banks PowerPack Systems
(P/N 46497-46519)**

Contains:

- Ram-Air Intake system
- Monster Exhaust (single or dual)
- EconoMind Tuner w/ Banks iQ
- High-Ram
- Techni-Cooler System

**Banks Six-Gun Bundle
(P/N 46594-46613)**

Contains:

- Ram-Air Intake system
- Monster Exhaust (single or dual)
- Six-Gun Tuner w/ Banks iQ

**Banks Big Hoss Bundle
(P/N 46623-46643)**

Contains:

- Ram-Air Intake system
- Monster Exhaust (single or dual)
- Six-Gun Tuner w/ Banks iQ
- Big Head Wastegate Actuator
- High-Ram
- Techni-Cooler System

**For More Information please call (800) 438-7693
or Visit us online @ www.bankspower.com**

Dear Customer,

If you have any questions concerning the installation of your Banks Techni-Cooler, please call our Technical Service Hotline at (888) 839-2700 between 7:00 am and 4:00 pm (PT). If you have any questions relating to shipping or billing, please contact our Customer Service Department at (888) 839-5600.

Thank you.

Tools Required:

- Drive ratchet
- Ratchet extension
- Inch and metric deep sockets
- Pliers
- Phillips and flat blade screwdrivers
- Inch and metric open end wrenches

Recommended tools:

- Foot-pound torque wrench
- Inch-pound torque wrench
- Silicon spray

Table of Contents

General Installation Practices	4
Recommended practices, tools, and supplies for installation	
Section 1	5
Remove Stock Components	
Section 2	8
Modifications to make room for the Banks Techni-Cooler System	
Section 3	9
Trim Brackets	
Section 4	10
Banks Techni-Cooler Installation	
Section 5	11
High-Ram Installation	

General Installation Practices

- 1.** Before starting work, familiarize yourself with the installation procedure by reading all of the instructions.
- 2.** Throughout this manual, the left side of the vehicle refers to the driver's side, and the right side to the passenger's side.
- 3.** Disconnect the negative (ground) cable from the battery (or batteries, if there are two) before beginning work.
- 4.** Route and tie wires and hoses a minimum of 6" away from exhaust heat, moving parts and sharp edges. Clearance of 8" or more is recommended where possible.
- 5.** When raising the vehicle, support it on properly weight-rated safety stands, ramps or a commercial hoist. Follow the manufacturer's safety

precautions. Take care to balance the vehicle to prevent it from slipping or falling. When using ramps, be sure the front wheels are centered squarely on the topsides. When raising the front of the vehicle, put the transmission in park (automatic) or reverse (manual), set the parking brake, and block the rear wheels. When raising the back of the vehicle, be sure the vehicle is on level ground and the front wheels are blocked securely. **Caution! Do not use floor jacks to support the vehicle while working under it. Do not raise the vehicle onto concrete blocks, masonry or any other item not intended specifically for this use.**

- 6.** During installation, keep the work area clean. Do not allow anything to be dropped into intake, exhaust, or lubrication system components while performing the installation, as foreign objects will cause immediate engine damage upon start-up.

Section 1

REMOVE STOCK COMPONENTS

Figure 1

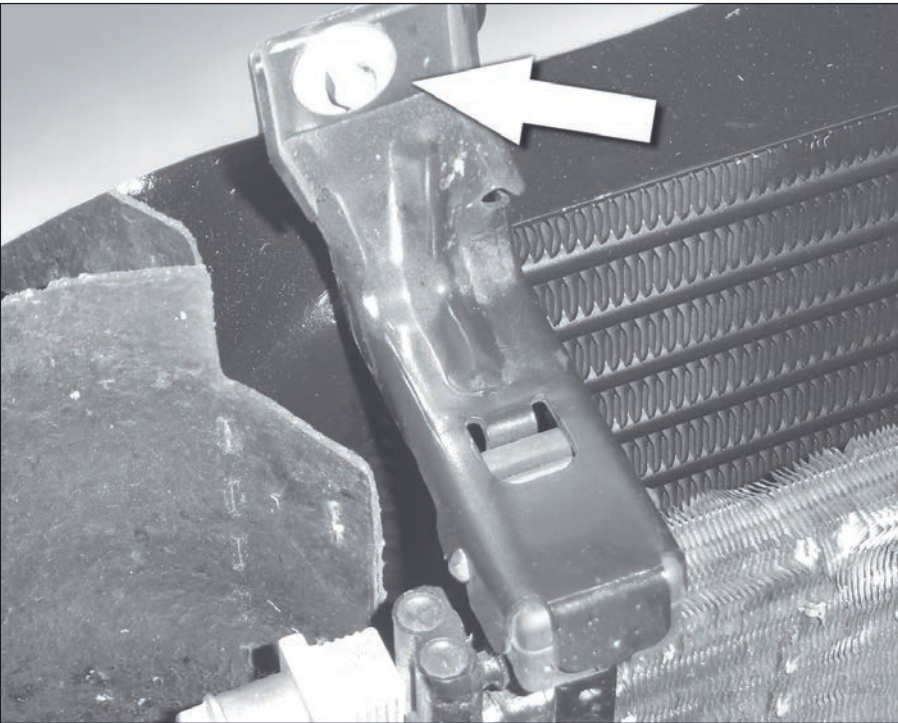
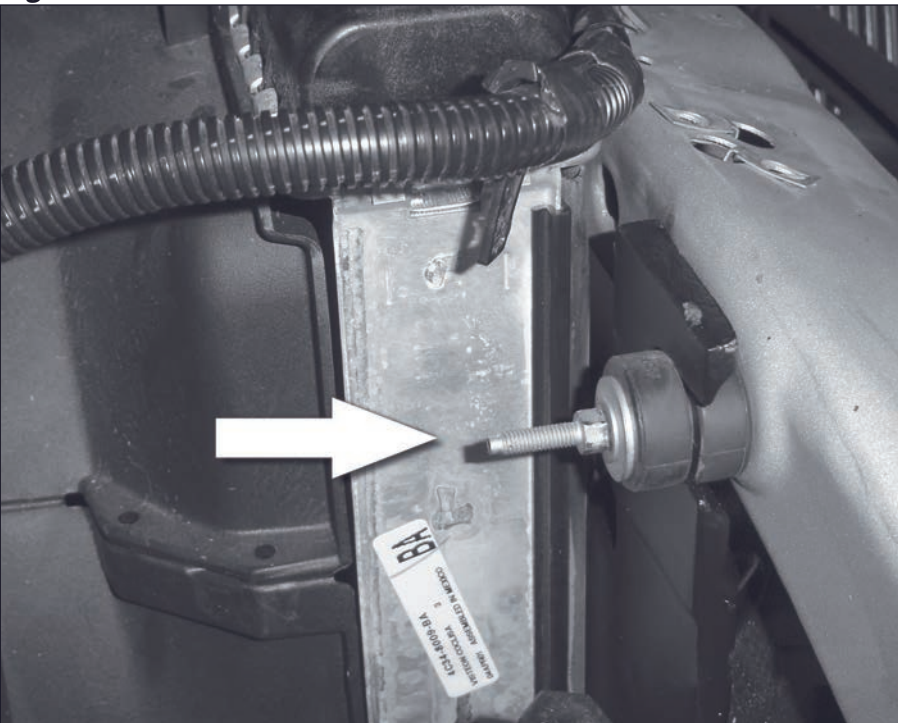


Figure 2



Note: Save all factory components and fasteners that are removed for re-installation with the exception of: Charge Air Cooler (CAC), Intake Elbow, Boost Tubes, and CAC Hose Connections.

1. Remove the (+) and (-) battery cables from both the driver and passenger side batteries.
2. Remove all of the plastic pushpins that attach the upper radiator air deflector to the grill support and upper radiator support.
3. Remove the upper radiator air deflector.
4. Place reference marks around the hood latch to mark its location. These marks will be used to orient the hood latch upon re-installation.
5. Un-bolt and remove the hood latch from the support. Do not disconnect the cable; just place the hood latch assembly out of the way.
6. Remove the two upper a/c condenser mounting brackets that are attached to the upper radiator support as shown in **Figure 1**.
7. Remove the 2 bolts that attach the upper Charge Air Cooler (CAC) mounts to the upper radiator support as shown in **Figure 2**.
8. Remove the two radiator support brackets as shown in **Figure 3**.
9. Remove the driver and passenger side pushpins that attach the air deflectors to the radiator support as shown in **Figure 4**.
10. Un-clip the battery cable that is attached to the radiator support.
11. Remove the 8 bolts that attach the upper radiator support to the core support.
12. Remove the radiator support. It may be necessary to pry it out of the slots in the core support.
13. Undo the two toggle clamps at the rear of the air box assembly.
14. Disengage the two tabs on the lower backside of the air box assembly from the slots on the rear cover.
15. Remove the air box assembly and air box front cover from the vehicle.

16. For 2005-07 4-wheel drive equipped vehicles only: Remove the electronics module near the driver side battery shown in **Figure 5**. The retaining tab for the module can be pried back with a flat blade screwdriver as shown in the figure. After the tab is depressed, the module can easily be pulled away from it's mounting bracket.

17. Remove driver's side plastic battery cover. There are tabs at the front and back of the cover that need to be depressed to remove the cover, as shown in **Figure 6**.

Note: Be careful not to break the plastic box, as it will be re-installed later.

18. Remove the driver's side battery hold down clamp (8mm socket).

19. Remove the driver's side battery.

WARNING: When lifting a battery, excessive pressure on the end walls could cause acid to spew through the vent caps, resulting in personal injury. Lift with a battery carrier or with hands on opposite corners. Failure to follow these instructions may result in personal injury.

20. Remove the wire harness plastic retaining clip on the back of the plastic battery box.

21. Remove the plastic battery box [(4x) 13mm socket]. For 2005-07 4-wheel drive equipped vehicles only: A small bracket used to mount an electronic module will also be removed with the plastic battery tray.

22. Remove both the driver and passenger side boost tubes and their attachment hoses. The passenger side boost tube is the 3 inch diameter tube that connects the compressor discharge to the charge air cooler. The driver's side boost tube connects the charge air cooler to the intake manifold. Retain the (2) hose clamps that attach the passenger side boost tube to the turbocharger, as these components will be re-used.

Figure 3

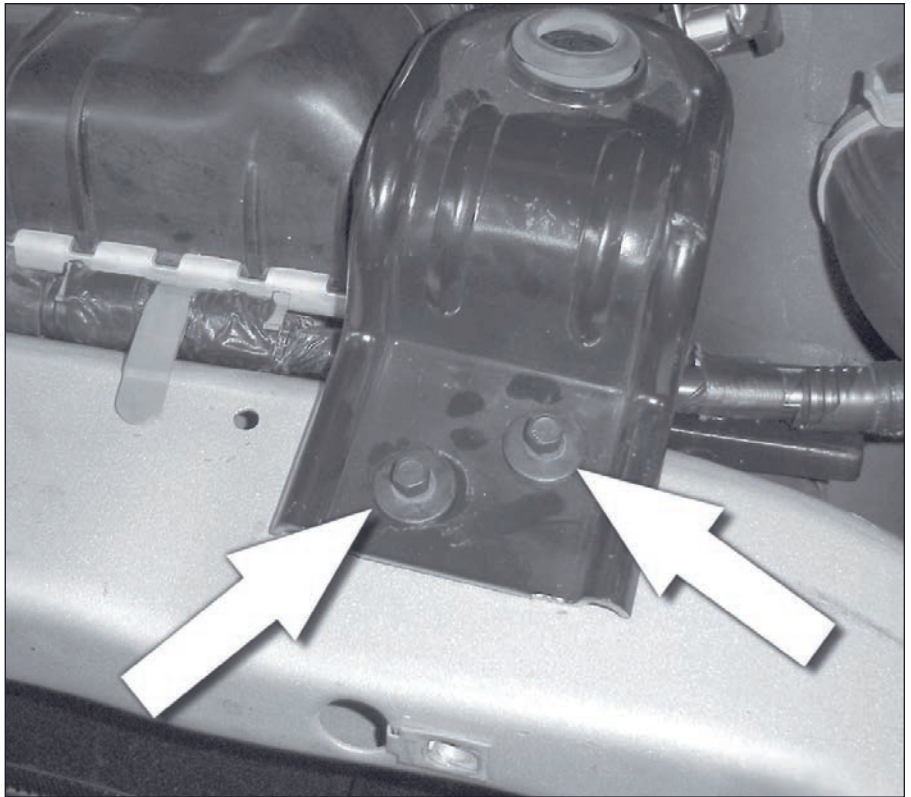


Figure 4

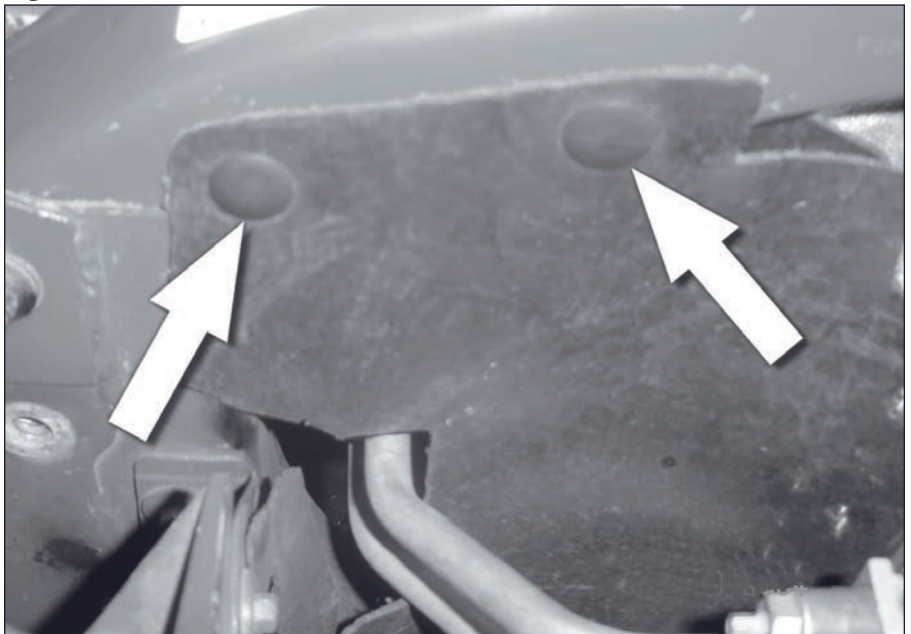
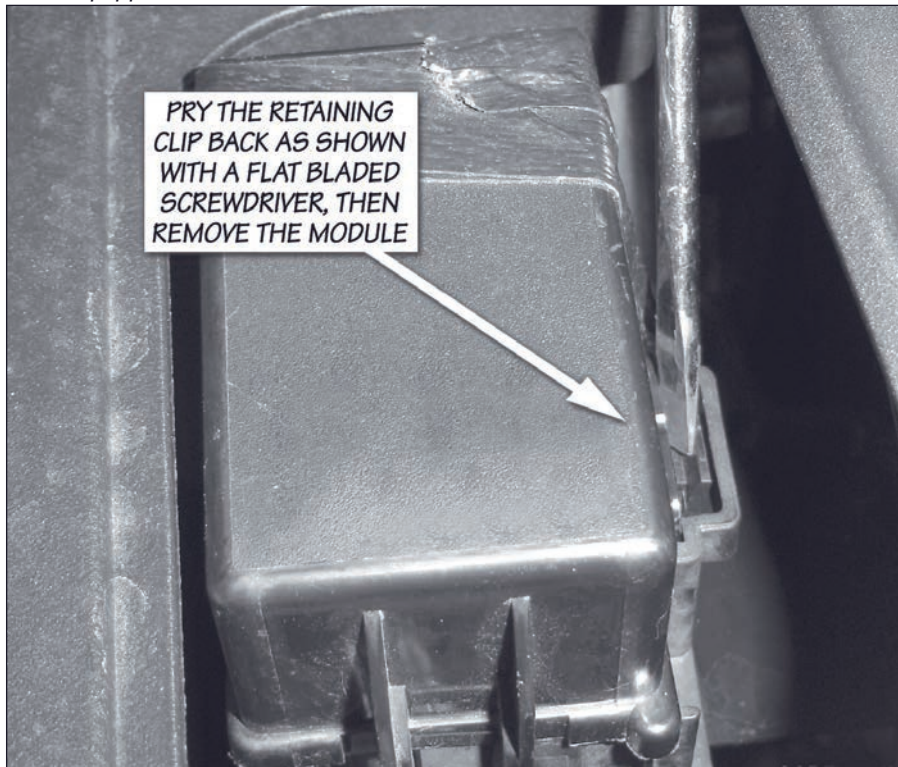


Figure 5. Electronic module near the driver side battery on 2005-07 4-wheel drive equipped vehicles



23. Remove the four allen head bolts that attach the stock intake elbow. The intake elbow is the 90 degree transition from the driver side boost tube to the intake manifold.

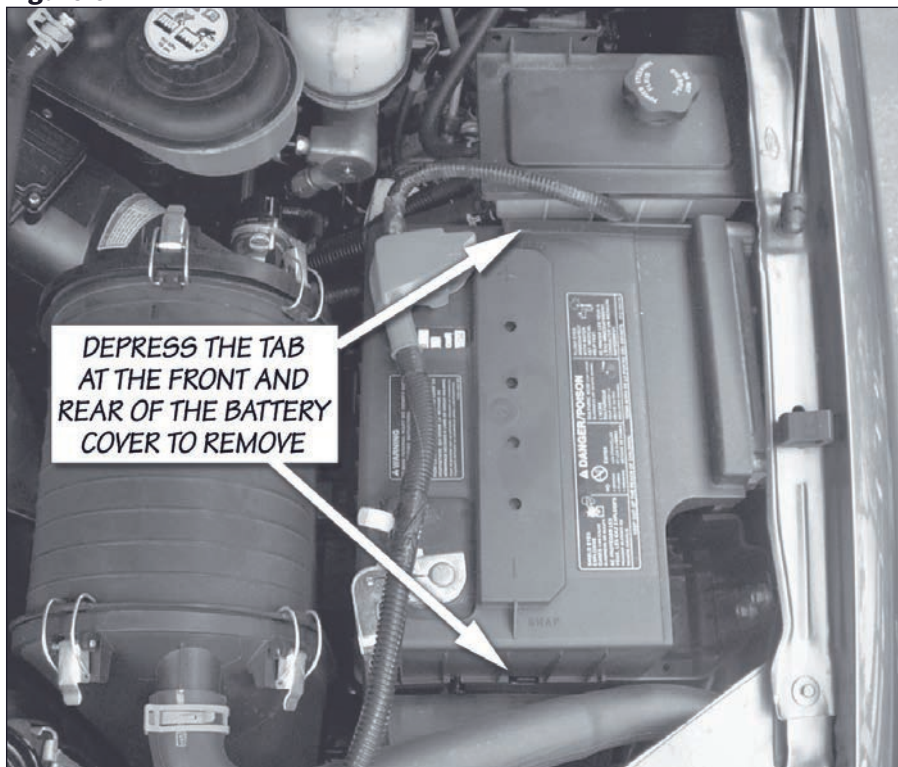
24. Remove the stock intake elbow and gasket.

25. Cover the compressor outlet on the turbocharger and the inlet to the intake manifold to prevent debris from getting into either of these areas.

26. Remove the stock CAC.

-END, SECTION 1-

Figure 6



Section 2

MODIFICATIONS TO MAKE ROOM FOR THE BANKS TECHNI-COOLER SYSTEM

27. For 2005-07 4-wheel drive equipped vehicles only: Remove the two retaining clips that attach the wire harness to the metal battery tray.

28. Remove the driver's side metal battery tray [(3x) 13mm socket].

29. Drill a $\frac{3}{8}$ inch hole as shown in **Figure 7**.

30. Reinstall the battery tray as shown in **Figure 8** with the supplied $\frac{1}{2}$ " spacer and longer supplied 8mm bolts. Torque the bolts to 12 ft-lbs

-END, SECTION 2-

Figure 7

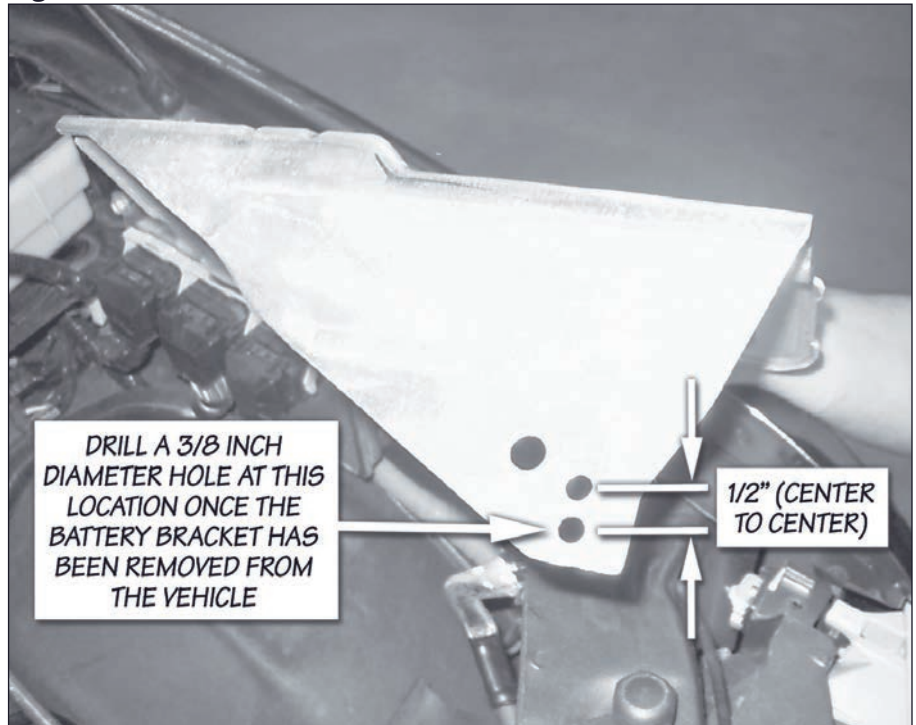
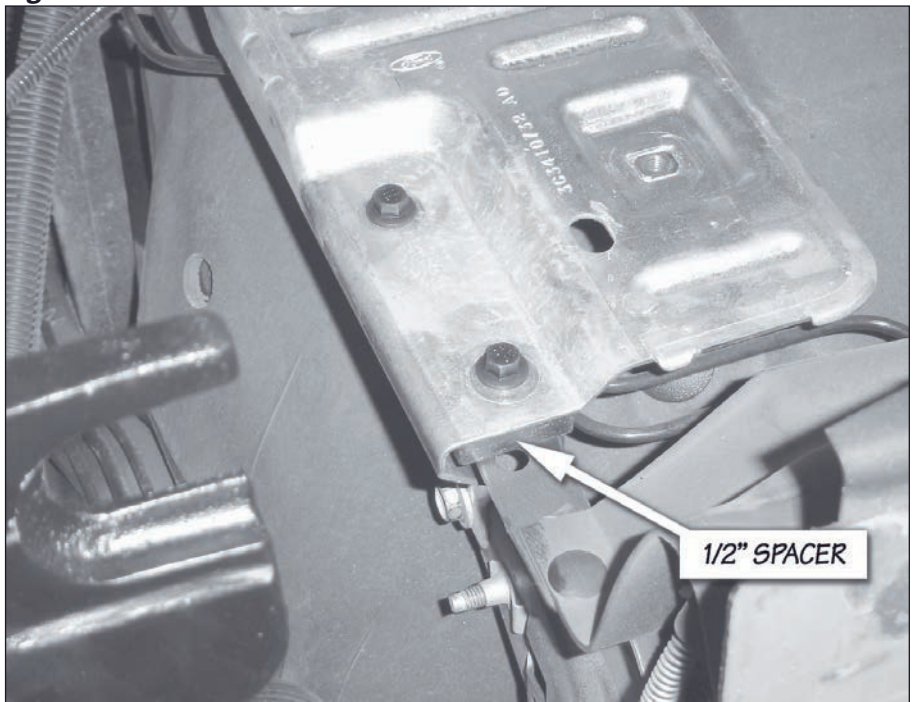


Figure 8



Section 3

TRIM BRACKETS

Figure 9

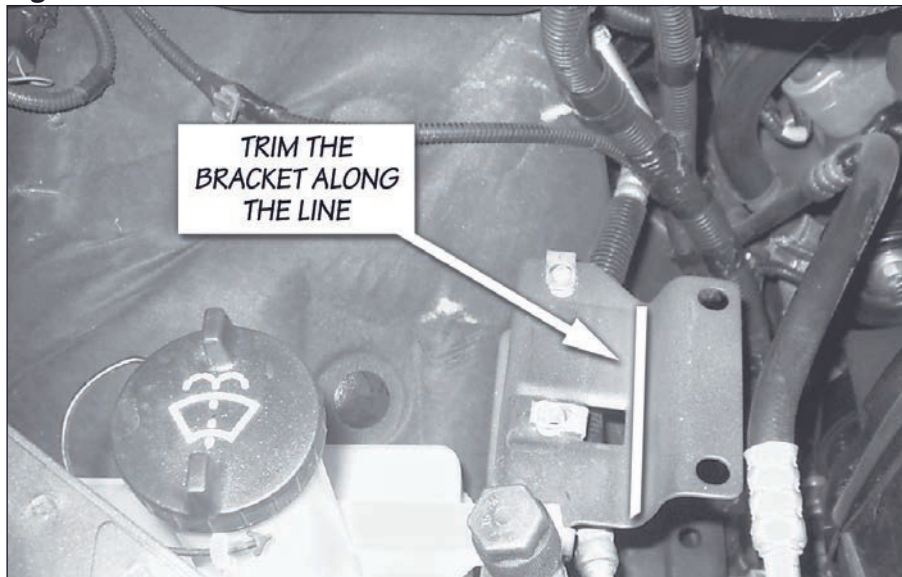


Figure 10

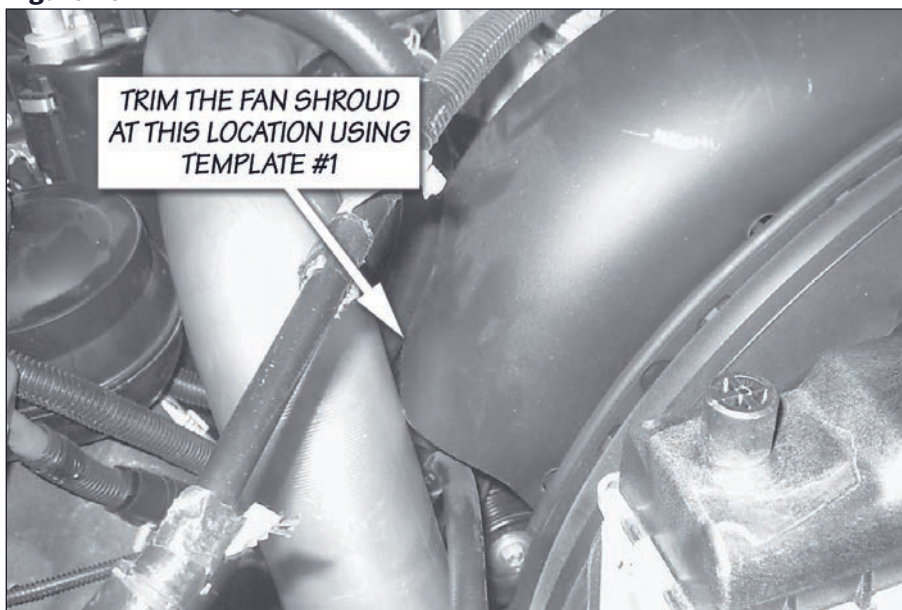


Figure 11



2003 to 2004 vehicles only
(Steps 31 through 37)

31. Remove the passenger side battery hold down clamp [(1x) 8mm socket].

32. Remove the passenger side battery.

WARNING: When lifting a battery, excessive pressure on the end walls could cause acid to spew through the vent caps, resulting in personal injury. Lift with a battery carrier or with hands on opposite corners. Failure to follow these instructions may result in personal injury.

33. Remove the plastic clip that attaches the (+) battery cable to the rear of the passenger side battery tray

34. Remove the 4 bolts that secure the passenger side battery tray [(4x) 13mm socket].

35. Remove the passenger side battery tray.

36. Trim the bracket below the battery tray as shown in **Figure 9**.

Note: Be careful not to cut the a/c lines that are in close proximity to the bracket.

37. Re-install the passenger side battery tray and battery. Tighten the battery tray bolts to 12 ft-lbs and the battery hold down clamp to 89 in-lbs. Re-attach the harness mounting clip at the rear of the tray, but leave the cables disconnected from the battery until the installation is complete.

38. Trim the fan shroud as shown in **Figure 10** using **Template 1** on page 15, to clear the larger diameter boost tubes.

39. Trim the fan shroud as shown in **Figure 11** using **Template 2** on page 13, to clear the Banks High Ram.

Note: 2005-07 vehicles require a different trim to fan shroud, use appropriate template. See **Template 2**.

-END, SECTION 3-

Section 4

BANKS TECHNI-COOLER INSTALLATION

40. For 2003 vehicles only:

Remove the rubber air deflectors from the face of the stock CAC. Install the rubber air deflectors removed from the stock CAC on the Banks CAC. Use the supplied zip tie mounts to affix the air deflectors to the Banks CAC. Discard the supplied zip tie mounts for vehicles that are not equipped with the rubber air deflectors.

41. Remove the rubber saddle mounts and grommets used to mount the stock CAC and install them on the Banks CAC.

42. Install the Banks CAC into the factory lower saddle mounts.

43. Reinstall the upper radiator support. Leave the 8 bolts that retain the support hand tight. This will allow the position of the upper core support to be aligned with the Banks CAC.

44. Install the bolt at each of the upper CAC mounts and torque to 19 ft-lbs.

45. Torque the eight upper radiator support bolts to 22 ft-lbs.

46. Reinstall the radiator support

brackets and torque to 22 ft-lbs.

47. Re-affix the two upper air conditioning condenser mounts and torque to 80 in-lbs.

48. Re-attach the hood latch in the outline that was previously marked. Torque the hood latch bolts to 9 ft-lbs.

49. Re-attach the pushpins that attach the driver and passenger side air deflectors to the radiator support.

50. Re-install the upper radiator air deflector with pushpins.

-END, SECTION 4-

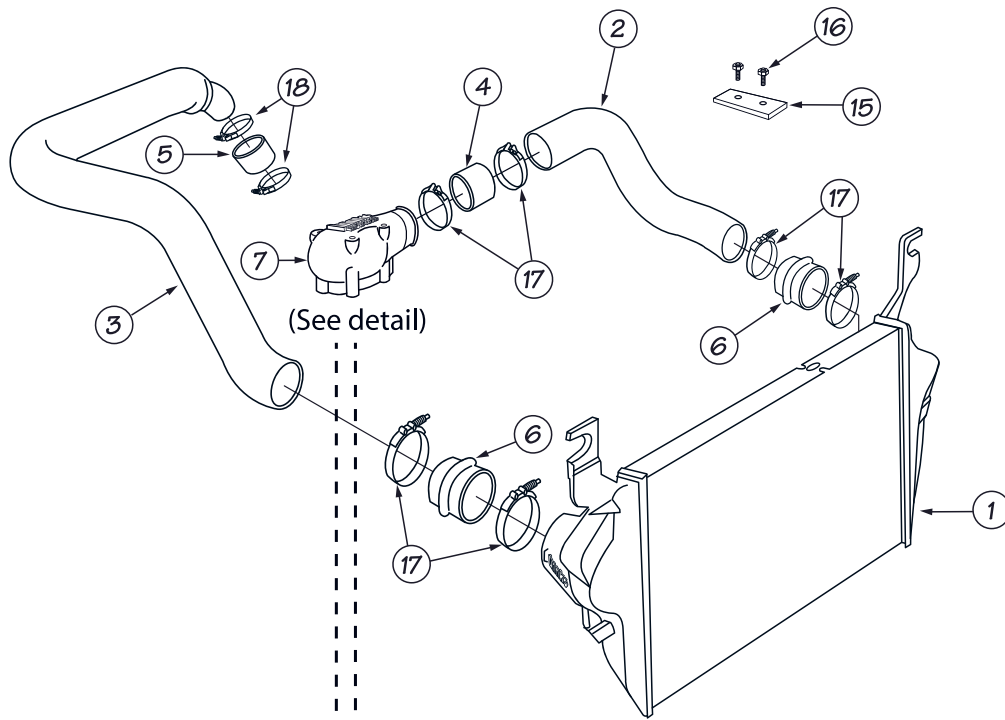
Section 5

HIGH-RAM INSTALLATION

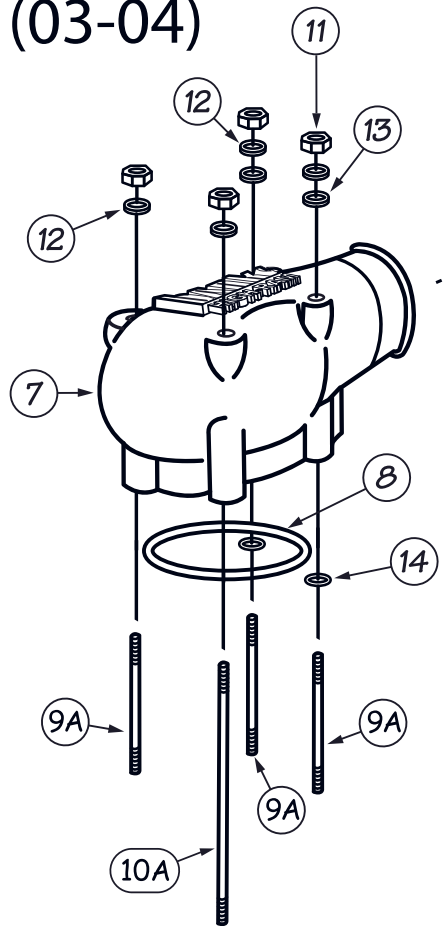
Figure 12 General Assembly Banks Techni-Cooler

Item	Description	P/N	Qty
1	Techni-cooler assembly	25536	1
2	Boost tube, left	41324	1
3	Boost tube, right	41325	1
4	Hose, 3.5"x 3.25", Black	94215	1
5	Hose, 2.5"x 2.5", 5-ply, Black	94273	1
6	Hump Hose, 3.5"x 3.25", Black	94293	2
7	High-Ram Intake Manifold		
	2003-04	42745	1
	2005-07	42746	1
8	Gasket, High-Ram Intake	93038	1
9A	Stud, High-Ram Air Intake M6-1.0 x 1/4-20 x 4.365 (03-04)	91534	3
9B	Stud, High-Ram Air Intake M6-1.0 x 1/4-20 x 6.185 (05-07)	91536	2
10A	Stud, High-Ram Air Intake M6-1.0 x 1/4-20 x 6.725 (03-04)	91535	1
10B	Stud, High-Ram Air Intake M6-1.0 x 1/4-20 x 6.595 (05-07)	91537	2
11	Nut, Nylock 1/4"-20	91110	4
12	Washer, SAE Flat, Zinc 1/4"	91102	4
13	Washer, Thread Sealing 1/4"-20	91106	2
14	O-Ring, High-Ram	93606	2
15	Spacer, Battery Box	91890	1
16	Hex-Bolt, Washer Head, Black 8mm-1.25 x 30mm	91810	2
17	Hose clamp, 3.5" Spring Loaded	92897	6
18	Hose clamp, 2.5" Spring Loaded	—	*

* These are stock components that will be re-used with the Banks Techni-Cooler System



(03-04)



(05-07)

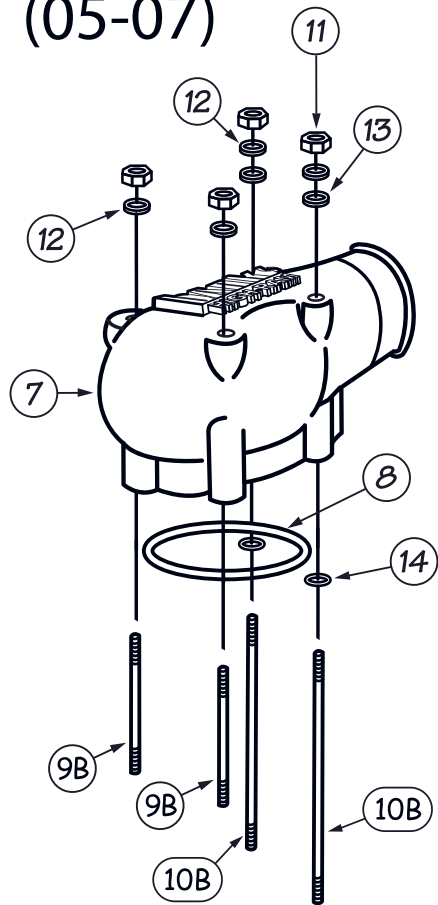


Figure 13

51. Apply the supplied thread locker to the M6 threaded side of the High Ram studs. The M6 thread length is shorter than the 1/4"-20 threads on the opposite ends of the studs.

52. Using the two 1/4"-20 nuts provided, tighten the High Ram studs into the intake manifold by threading both nuts onto the stud. Tighten the nuts against each other using two open end wrenches, then tighten the stud by turning the wrench on the top nut. The stud should be torqued to 2 ft-lbs. Reverse the process to remove the nut and repeat for each stud.

53. 2003 to 2004 vehicles only. Remove 0.75" of the split loom near the connector shown in **Figure 13** to provide additional clearance for the High-Ram.

54. Install the supplied o-rings on the two driver side studs as shown in the exploded view in **Figure 14**. Slide the o-rings down to the base of the intake manifold.

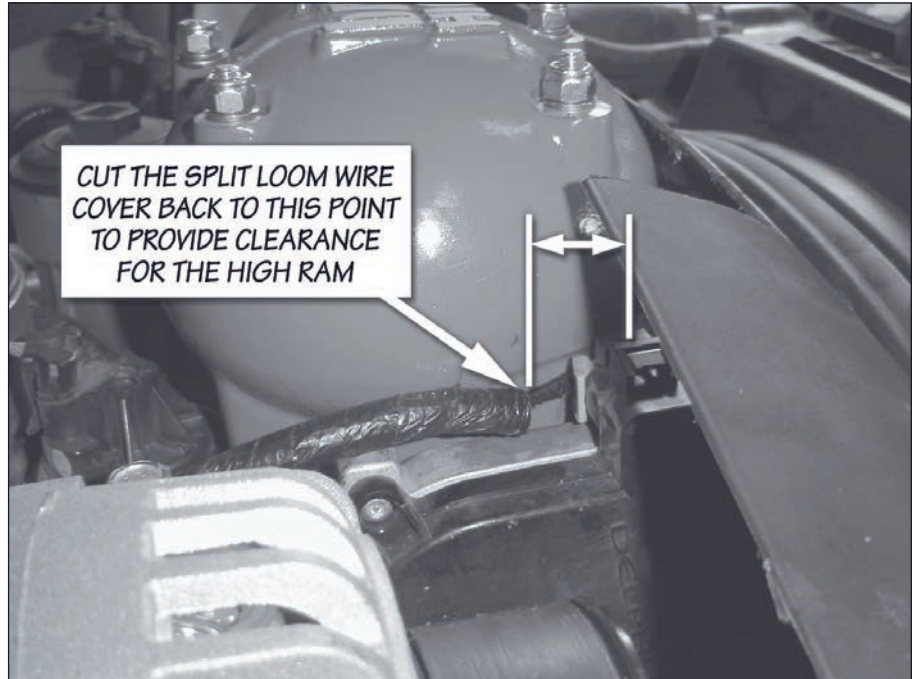


Figure 14

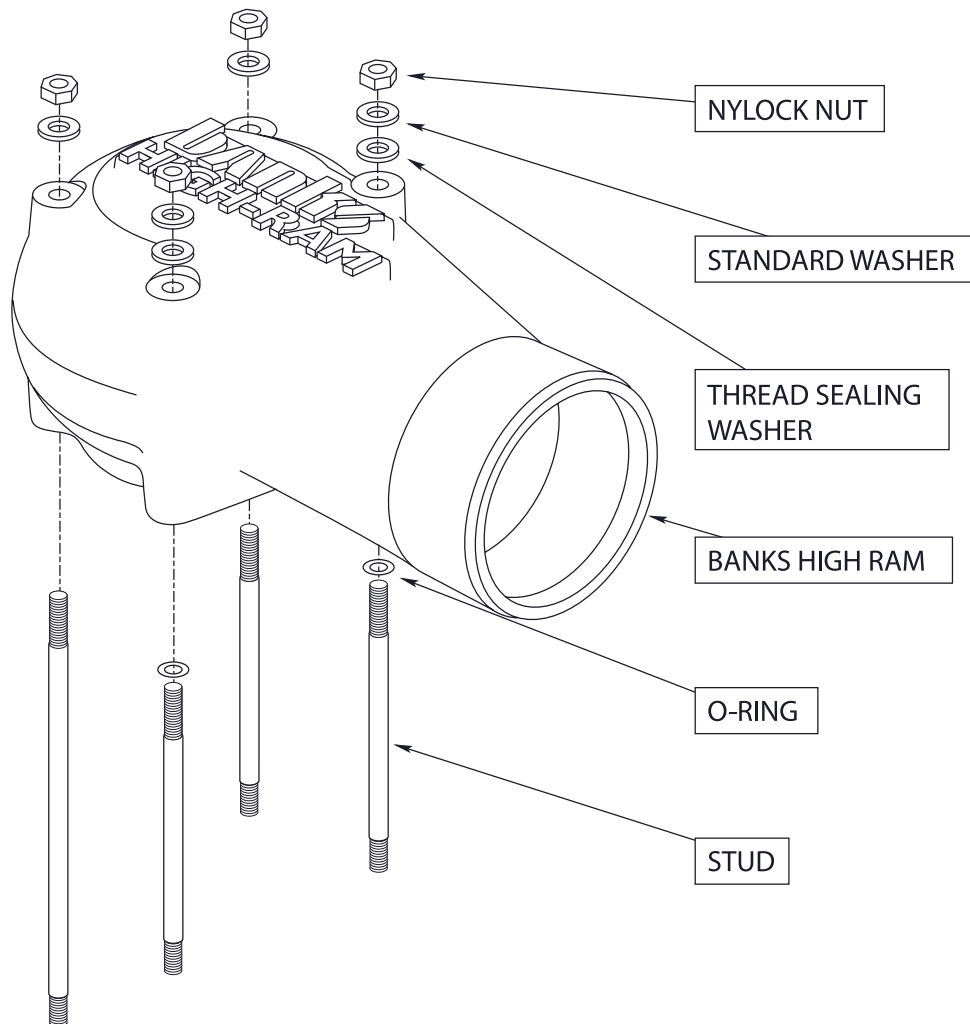
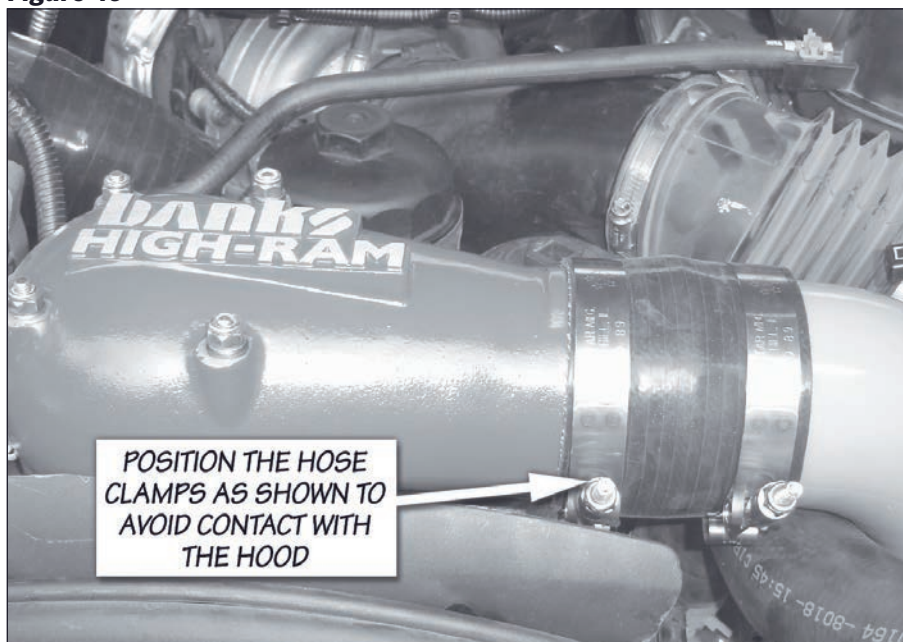


Figure 15



55. For 2003 to 2004 vehicles, install the factory replacement intake manifold gasket in the groove on the intake manifold. **For 2005-07 vehicles,** install the factory replacement intake manifold gasket on the High Ram.

56. Slide the High-Ram over the installed studs.

57. Place the thread sealing washers on the two driver side studs. Use a twisting motion to thread the sealing washers over the threaded portion of the studs to avoid tearing the seals. Install standard flat washers on the passenger side studs and on top of the thread sealing washers, as shown in **Figure 14**.

58. Secure the High Ram with (4x) 1/4"-20 Nylon locking nuts. Torque to 9 ft-lbs.

*NOTE: Before slipping any boost tubes and the corresponding hoses, into position, ensure that all connection ends are clean and free of any oil residue and contaminants. Clean compressor outlet and all connection points with a **non-oil based solvent** such as Acetone, Mineral Spirits, Denatured Alcohol or Lacquer Thinner. Read and follow the manufactures operation instruction for non-oil based solvent cleaner.*

59. Install the driver and passenger side boost tubes and connection hoses as shown in **Figure 12**. The connection hoses should be slid firmly against the hose stops provided on the CAC and High Ram. Allow a minimum 1/8" air gap between CAC, High Ram and boost tubes.

Note: The a/c line on the passenger side may need to be bent to provide clearance for the boost tube. On

2003 to 2004 vehicles: The brake line on the driver side may need to be slightly bent to provide additional clearance for the boost tube. **On 2005-07 vehicles:** One of the power steering fluid lines may need to be bent to provide clearance for the driver side boost tube.

60. The hose clamps on the High Ram must be positioned as shown in **Figure 15** to avoid contact with the hood.

62. Tighten the hose clamps to 75 inch-lbs (**not ft-lbs!**).

63. Re-install the plastic driver side battery box. Torque the attachment bolts to 12 ft-lbs. **On 2005-07 4-wheel drive vehicles only:** Reinstall the electronic module mounting bracket that was removed with the plastic battery tray.

64. Re-install the driver's side battery, battery hold down clamp, and plastic battery cover. Torque the hold down clamp retaining bolt to 89 in-lbs (**not ft-lbs!**).

WARNING: When lifting a battery, excessive pressure on the end walls could cause acid to spew through the vent caps, resulting in personal injury. Lift with a battery carrier or with hands on opposite corners. Failure to follow these instructions may result in personal injury.

65. For 2005-07 4-wheel drive equipped vehicles only: Re-install the electronic module near the driver side battery. The module is shown in **Figure 5**.

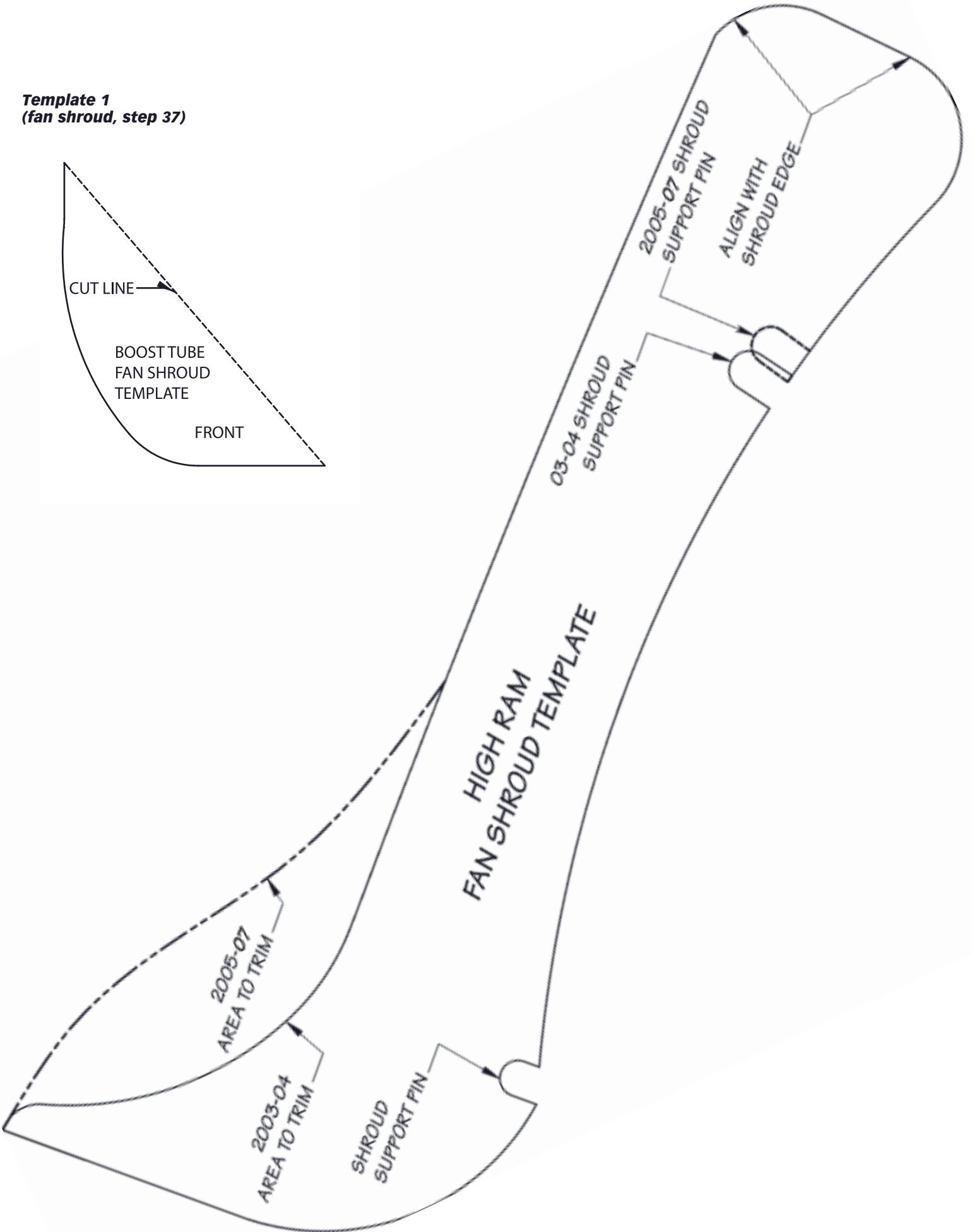
66. Re-install the air filter assembly box and air box front cover.

67. Re-install the driver and passenger (+) and (-) battery cables.

-END, SECTION 5-

Notes

Template 1
(fan shroud, step 37)



Gale Banks Engineering
546 Duggan Avenue • Azusa, CA 91702
(626) 969-9600 • Fax (626) 334-1743

Product Information & Sales: (800) 438-7693
Customer Support: (888) 839-5600
Installation Support: (888) 839-2700

bankpower.com