



***2003-2004 Dodge Cummins 5.9L (Up to 305HP)  
Edge Products EZ Module  
Installation Instructions & Manual***

**OLD P/N: EZD1000C  
NEW P/N: 30203**



# TABLE OF CONTENTS

<i>DISCLAIMER OF LIABILITY</i> _____	3
<i>LIMITATION OF WARRANTY</i> _____	3
<i>Module Installation</i> _____	7
<b>Harness Connector</b> _____	7
<b>MAP Connection</b> _____	8
<b>Fuel Pressure Sensor Connection</b> _____	8
<b>Boost Elbow Installation (Optional)</b> _____	9
<b>Final Inspection and Operation</b> _____	10
<i>Fueling Adjustment</i> _____	11
<b>Power Gains</b> _____	11
<i>Technical Support</i> _____	12

© 2007, Edge Products  
All rights reserved.  
Edge Products  
1080 South Depot Dr.  
Ogden, UT 84404  
1-888-360-3343

[www.edgeproducts.com](http://www.edgeproducts.com)

*Manual Version 3*

**THIS IS A HIGH PERFORMANCE PRODUCT. USE AT YOUR OWN RISK.**

Do not use this product until you have carefully read the following agreement.

This sets forth the terms and conditions for the use of this product. The installation of this product indicates that the BUYER has read and understands this agreement and accepts its terms and conditions

## **DISCLAIMER OF LIABILITY**

Edge Products Inc. and its successors, distributors, jobbers, and dealers (hereafter **SELLER**) shall in no way be responsible for the product's proper use and service. THE BUYER HEREBY WAIVES ALL LIABILITY CLAIMS.

The **BUYER** acknowledges that he/she is not relying on the **SELLER's** skill or judgment to select or furnish goods suitable for any particular purpose and that there are no liabilities which extend beyond the description on the face hereof and the **BUYER** hereby waives all remedies or liabilities, expressed or implied, arising by law or otherwise, (including without any obligations of the **SELLER** with respect to fitness, merchantability and consequential damages) or whether or not occasioned by the **SELLER's** negligence.

The **SELLER** disclaims any warranty and expressly disclaims any liability for personal injury or damages. The **BUYER** acknowledges and agrees that the disclaimer of any liability for personal injury is a material term for this agreement and the **BUYER** agrees to indemnify the **SELLER** and to hold the **SELLER** harmless from any claim related to the item of the equipment purchased. Under no circumstances will the **SELLER** be liable for any damages or expenses by reason of use or sale of any such equipment.

The **SELLER** assumes no liability regarding the improper installation or misapplication of its products. It is the installer's responsibility to check for proper installation and if in doubt, contact the manufacturer.

## **LIMITATION OF WARRANTY**

Edge Products Inc. (hereafter "**SELLER**") gives Limited Warranty as to description, quality, merchantability, fitness for any product's purpose, productiveness, or any other matter of **SELLER's** product sold herewith. The **SELLER** shall be in no way responsible for the product's open use and service and the **BUYER** hereby waives all rights other than those expressly written herein. This Warranty shall not be extended or varied except by a written instrument signed by **SELLER** and **BUYER**.

The Warranty is Limited to one (1) year from the date of sale and limited solely to the parts contained within the product's kit. All products that are in question of Warranty must be returned shipping prepaid to the **SELLER** and must be accompanied by a dated proof of purchase receipt. All Warranty claims are subject to approval by Edge Products Inc.

Under no circumstances shall the **SELLER** be liable for any labor charged or travel time incurred in diagnosis for defects, removal, or reinstallation of this product, or any other contingent expenses.

If the **BUYER** sends back a failed unit that is out of warranty and chooses to buy a refurbished unit, the refurbished unit will only carry a 60 day warranty. If the **BUYER** purchases a new unit at a predetermined discounted rate, it will have the standard 1 year warranty.

Under no circumstances will the **SELLER** be liable for any damage or expenses insured by reason of the use or sale of any such equipment.

IN THE EVENT THAT THE BUYER DOES NOT AGREE WITH THIS AGREEMENT: THE BUYER MAY PROMPTLY RETURN THIS PRODUCT, IN A NEW AND UNUSED CONDITION, WITH A DATED PROOF OF PURCHASE, TO THE PLACE OF PURCHASE WITHIN SIXTY (60) DAYS FROM DATE OF PURCHASE FOR A FULL REFUND.

THE INSTALLATION OF THIS PRODUCT INDICATES THAT THE BUYER HAS READ AND UNDERSTANDS THIS AGREEMENT AND ACCEPTS ITS TERMS AND CONDITIONS.

**This warranty is void for any new products purchased through auction websites. Warranty is valid only for new products purchased through Authorized Dealers (proof of purchase required for all warranty claims).**

**All Edge modules and programmers are built to operate with OEM calibrations. When you take your vehicle to a service center they may, by your request or otherwise, update your vehicles calibrations. Therefore it is important that you return your vehicle to stock before taking it in for service. Edge updates its active products (i.e. those currently being manufactured) to work effectively with updated OEM calibrations. However, this process can take some time as Edge is not always made aware of calibration changes made by the OEM. In the case of discontinued products, Edge cannot ensure that your unit will work effectively if you take your vehicle to a dealership and you are given, by your request or otherwise, a new calibration.**

Thank you for purchasing the Power Edge *EZ* Module for the Cummins ISB Diesel. This module has been developed and produced from the highest quality materials available to ensure the best performance for years to come. If you have any concerns or questions, please contact us.

**The *EZ* Module is a high performance product**

**It is strongly recommended that EGT gauges and boost gauges  
be installed with the use of this product.**

**THIS PRODUCT MUST BE REMOVED WHEN TAKING VEHICLE TO VEHICLE DEALERSHIP OR  
OTHER SERVICE FACILITY!!**

LEAVING PRODUCT INSTALLED MAY AFFECT DEALER DIAGNOSTIC ANALYSIS AND SCAN TOOL  
FUNCTIONS!!

**The installation of this product indicates that the BUYER has read and  
understands this agreement as well as the “disclaimer of liability” agreement  
contained at the end of this document and accepts its terms and conditions.**

## AFTERMARKET PRODUCTS AND YOUR VEHICLE'S WARRANTY

Many of our customers ask, "Will your product void my vehicle manufacturer's warranty?" While the answer is straightforward from a legal standpoint, we also want to educate our customers (and after-market consumers) on some industry realities and offer some common sense precautions to minimize your risk.

Consumers of aftermarket products are protected by The Federal Magnusson-Moss Warranty Act. The Act states that if something breaks on your car and you take it in for warranty repair, the dealer must honor your warranty unless they can prove that whatever modifications you have added to your car actually caused the problem. Please keep in mind that towing in anything higher than level two and hard driving in levels four and five are not recommended.

While as a consumer, you have strong legal protection with regards to your vehicle's warranty, there is also a practical reality that different automotive manufacturers and dealers have greatly varying views on aftermarket products, in particular those that produce horsepower, such as performance enhancement chips, modified intake manifolds, or aftermarket exhaust systems. There are dealers and manufacturers out there that will use the presence of a horsepower upgrade to void your vehicle's warranty. They will do this regardless of whose product you are using. Any aftermarket company that does not acknowledge this is misleading you.

The bottom line is that while the law protects the consumer and provides for enforcement of the warranty, it is very difficult for most people to hire an attorney and fight a voided warranty. Edge recommends that you **always disconnect and remove your module and monitor when you take your vehicle to a dealer for warranty work** in order not to interfere with Diagnostic equipment.

## Module Installation

1. The *Power Edge EZ Module* can mount on the flat black plastic fuse box cover located on the driver's side fender. Adhere the module using the supplied velcro, allowing enough harness movement for removal of the cover.

### Harness Connector

Your EZ module may be equipped with a harness that can be disconnected at the EZ module itself (See figure 1A). It is important to make sure that your EZ module is always connected to the harness when the wiring harness is connected to the truck, otherwise the truck may not run properly, or may trip engine "codes."



FIGURE 1A

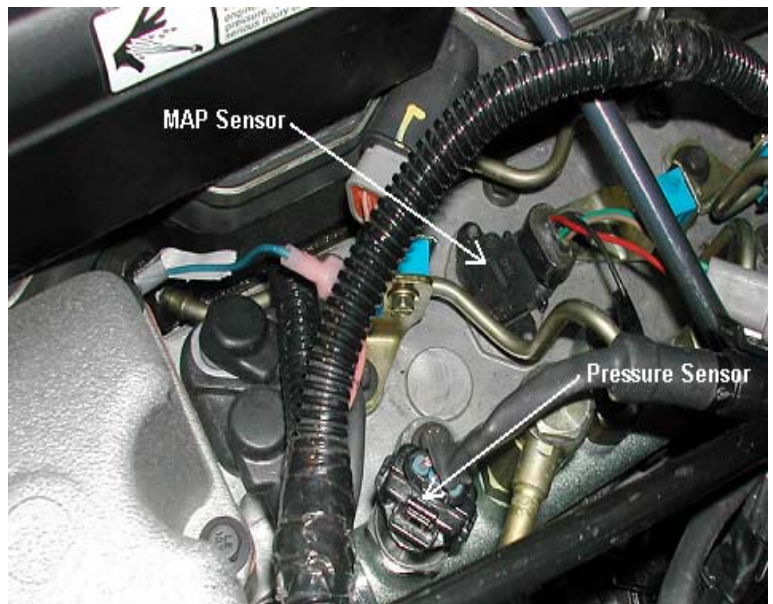
## MAP Connection

2. Connect the supplied MAP sensor wiring harness to the supplied main wiring harness in the engine compartment. Disconnect the stock wiring harness at the boost sensor located on top of the intake manifold. Plug the supplied MAP sensor connector into the stock engine boost sensor and the stock engine wiring harness connector into the supplied MAP sensor connector.



## Fuel Pressure Sensor Connection

3. Connect the supplied pressure sensor wiring harness to the supplied main wiring harness in the engine compartment. Disconnect the stock wiring harness at the sensor located on the main fuel rail on the driver's side towards the rear of the engine. Plug the supplied pressure sensor connector into the stock pressure sensor on the engine and the stock engine wiring harness connector into the supplied pressure sensor connector.





## Boost Elbow Installation (Optional)

The installation of the brass elbow permits turbo boost pressures of greater than 20 psi without the wastegate opening. The *Power Edge EZ Module* will operate equally well with or without this installed.

4. Using the 5/16" socket, loosen the two clamps securing the air induction hose to the air filter housing and the turbo inlet. Remove the hose and set it aside.
5. Using the pliers, remove the crimp style clamp from the hose on the brass fitting located on the now exposed lower front side of the turbocharger. Remove the hose from the brass fitting and dispose of the crimp style clamp.



6. Using the 7/16" wrench, unscrew the stock brass fitting out of the turbocharger housing. Using the 7/16" wrench, install the supplied brass fitting, tighten-be careful not to over-tighten. Slip the supplied hose clamp onto the stock hose, install the stock hose onto the supplied brass fitting and tighten the hose clamp with the 1/4" socket. Reinstall the stock air hose onto the air filter housing and turbocharger inlet. Using the 5/16" socket, tighten both clamps securely.

7. Using the 7/16 deep socket tighten all of the intercooler hose clamps on the air intake.



## **Final Inspection and Operation**

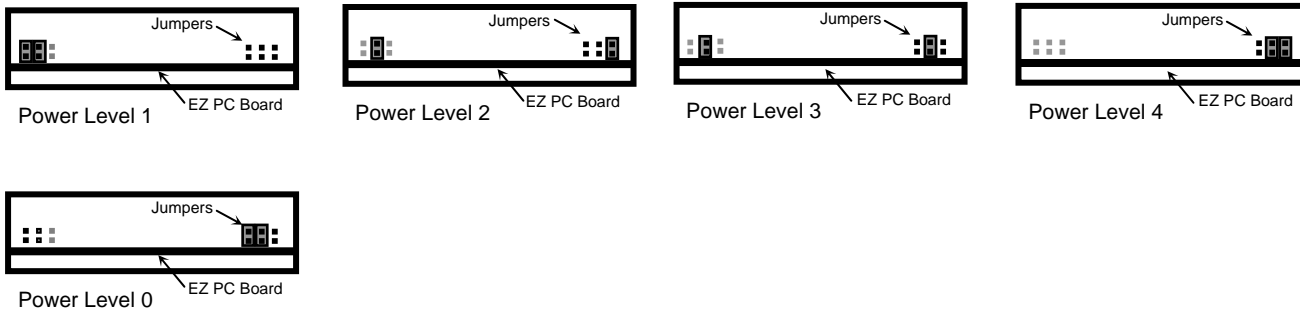
8. Recheck all connections, fittings and fasteners for a properly secure installation.
9. Using the supplied wire ties, secure the wiring harness from possible damage.

# Fueling Adjustment

The *Power Edge EZ Module* features 4 different levels of fueling. The *Power Edge EZ Module* is set default to level 3.

1. To change settings remove the front panel by using an allen wrench to remove the two screws.
2. Below the cover the 3 jumper settings on the right side are used for the power level adjustment.
3. This jumper can be removed and repositioned in any of the locations to achieve the desired response as shown below.

**Note:** Jumper settings on the left side of the board are for storage only.



## Power Gains

The following power gains are representative of an actual test vehicle. Power gains may vary somewhat on a different vehicle or in different geographic settings.

	Horsepower	Torque
Level 1:	40	150
Level 2:	50	180
Level 3:	60	200
Level 4:	70	220

## **Technical Support**

**1-888-360-3343**

To expedite your support call, please have part number (i.e., EZD1000C), version number, and Date of Manufacture ready prior to calling support.